

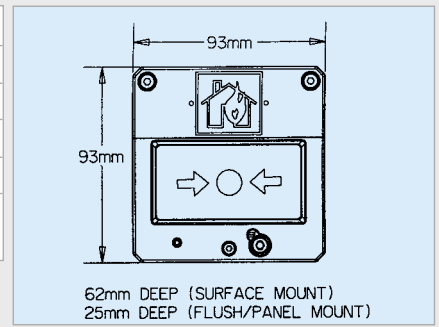
Heavy Duty, Industrial & Marine

BG3W

Break Glass Call Point – Weatherproof & Heavy Duty



Operating Temperature	-55°C to +55°C
Ingress Protection	IP66 & 67
Material	Corrosion-free GRP
Entries	2 x 20mm
Weight	0.5kg
Options: Body colour, LED, lift flap, series & EOL resistors, flush mounting, tag & duty labels.	



Standard model. Available ex-stock.

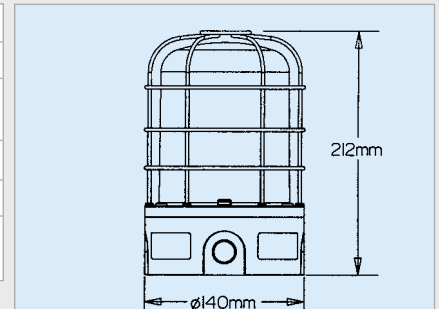
Ordering Code	Standard Product Configuration
800006	Standard models are surface mount version, have 2 x 20mm bottom entries, natural red GRP, single switch glass label 'Fire Break Glass Press Here', duty label 'Burning House'

XB13

10 Joule Flashing Xenon – Weatherproof & Heavy Duty



Operating Temperature	-55°C to +70°C
Ingress Protection	IP66 & 67
Material	Corrosion-free GRP body
Polycarbonate lens	
Entries	Up to 3 x 20mm via knockouts
Weight	1.1 kg
Options: Body & lens colour, tag & duty labels, lens guard, telephone & relay initiate, single & dual flash mode, voltages 12-24V d.c., 115-230V a.c.	



Standard models. Available ex-stock.

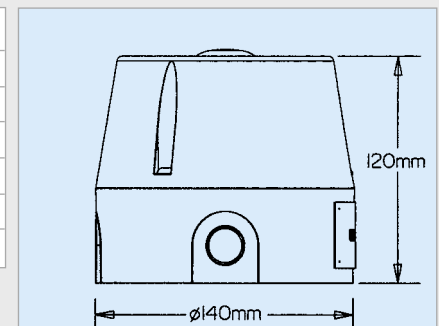
Voltage	Lens Colour	Ordering Code	Standard Product Configuration
24V d.c.	Red	813101	Standard models are in natural red body colour, no tag or duty labels, no lens guard, 3 x 20mm entries via knockouts, 60 flashes per minute (single flash mode), dual & single flash modes.
24V d.c.	Amber	813102	
230V a.c.	Red	813103	

DB12

110dB(A) Sounder – Weatherproof & Heavy Duty



Operating Temperature	-55°C to +70°C
Ingress Protection	IP66 & 67
Material	Corrosion-free GRP
Entries	Up to 3 x 20mm via knockouts
Weight	1 kg
No. of Tones	27 + 5 programmable
Options: Body colour, tag & duty labels, voltages 12V & 24V d.c.	



Standard models. Available ex-stock.

Voltage	Alarm Type	Ordering Code	Standard Product Configuration
24V d.c.	Two Stage	808001	Standard model has 27 tones, natural red body colour, no tag or duty labels, 3 x 20mm entries via knockouts.
115/230V a.c.	Single Stage	808003	

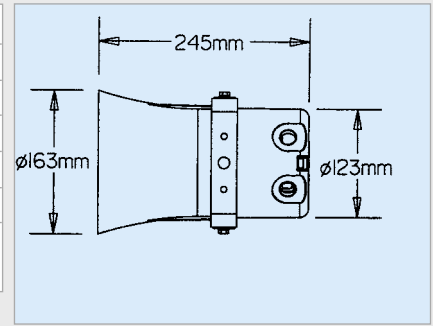
Heavy Duty, Industrial & Marine

DB15

117dB(A) Sounder – Weatherproof & Heavy Duty



Operating Temperature	-55°C to +70°C
Ingress Protection	IP66 & 67
Material	Corrosion-free GRP
Entries	2 x 20mm
Weight	2.6kg
No. of Tones	27 + 5 programmable
Options: Body colour, tag & duty labels, two stage alarm (DB15P) version, earth continuity, EOL resistor, voltages 12-48V d.c., 110-254V a.c.	



Standard models. Available ex-stock.

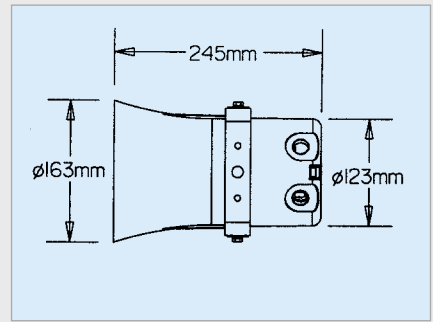
Voltage	Body Colour	Alarm Type	Ordering Code	Standard Product Configuration
24-48V d.c.	Natural Grey to RAL 7035	Two stage	808110	Standard model has 27 tones, 2 x 20mm entries.
24-48V d.c.	Red	Two stage	808115	
240V a.c.	Natural Grey to RAL 7035	Single stage	808120	
240V a.c.	Red	Single stage	808125	

DB14

15 Watt Speaker – Weatherproof & Heavy Duty



Ambient Operating Temperature	-55°C to +70°C
Ingress Protection	IP66 & 67
Material	Corrosion-free GRP
Output	107 dBA at 1W at 1 metre 117 dBA at 15W at 1 metre
Entries	2 x 20mm
Weight	2.6kg
Tappings	15, 7.5, 5, 4, 2, 0.8
Options: Body colour, tag & duty labels, transformer voltage, BS 5839, part 8 compliance, earth continuity	



Standard models. Available ex-stock.

Ordering Code	Standard Product Configuration
808010	Standard model has 100V line transformer, natural grey GRP body to RAL 7035, 2 x 20mm entries, no labels.

Beacon/Sounder Combination Units

Weatherproof & Heavy Duty



A range of combination units that can be constructed from MEDC sounders, beacons and other equipment.

For more information, download from www.medc.com, request data sheet 6DS104 or contact the sales office.



Download data sheets from www.medc.com

SOUNDERS – Up to 110 dB(A) for Harsh Industrial & Marine Environments DB12 Range

IP66/67 Weatherproof
Corrosion Free All GRP



Introduction

This range of sounders has been specially designed for use in demanding industrial and marine environments where a robust construction and high ingress protection rating is required.

The body is manufactured completely from a UV stable glass reinforced polyester which is also highly flame retardant and impact resistant. Stainless steel screws are incorporated thus ensuring a corrosion free product.

MEDC can also provide a range of sounders suitable for use in potentially explosive atmospheres.

For more information, refer to the catalogue or contact MEDC.

- ★ IP66 & IP67.
- ★ Operating temperature -55°C to $+70^{\circ}\text{C}$.
- ★ Corrosion resistant red painted GRP.
- ★ Up to 110 dB(A) output.
- ★ 27 tones, user selectable.
- ★ Tones comply with UKOOA/PFEER guidelines.
- ★ Any two tones may be switched by the external voltage supply (d.c. version).
- ★ Retained stainless steel cover screws.
- ★ Available compliant to AFNOR NF S 32 001.

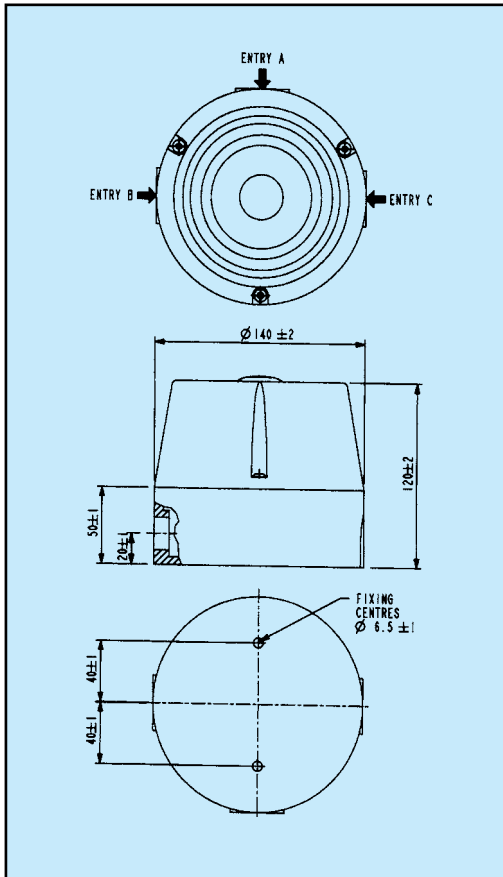
MEDC Ltd, Colliery Road,
Pinxton, Nottingham NG16 6JF, UK.
Tel: +44 (0)1773 864100
Fax: +44 (0)1773 582800

MEDC International, 5829 West Sam Houston Parkway,
North, Suite 1005, Houston, Texas 77041, USA.
Tel: +1 (713) 937 9772
Fax: +1 (713) 937 9773

MEDC Norway, Auglaendsmyråa 6,
4016, Stavanger, Norge.
Tel: +47 913 92 289
Fax: +47 914 46 030

Sales Enq. Fax: +44 (0)1773 582830 Sales Orders Fax: +44 (0)1773 582832
E-Mail: sales@medc.com Web: www.medc.com

MEDC



Specification

Material: UV stable glass reinforced polyester. Retained stainless steel cover screws.
 Finish: Painted red as standard or to customer's specification.
 Sound Output: 107 ± 3dB(A) at 1 metre.
 Typical value only – variable with tone.

Volume Control: Integral volume control.

*Nominal Output (dBa)	Input Current (mA)
92	60
100	70
104	80
109	90

*Output measured with 24V input voltage. Tone set to 2850Hz continuous.

Tone Selection:

Single Stage DB12: 27 user selectable tones.

Two stage Unit DB12P: Switchable between any two tones by either:

- (i) Reversing the polarity of the supply, or
- (ii) by a 3 wire common +ve system, switching between the two -ve lines.

Note: Two stage unit available in d.c. versions only.

Weight: 1.0 kg. d.c., 1.2kg a.c.

Operating Temperature: -55°C to +70°C.

Ingress Protection: IP66 & IP67.

Voltage: DC: 12V, 24V. AC: 115/230V.

Current Consumption: 24V operation 55mA - 100mA. 115V operation 8.5mA - 14mA.
 12V operation 55mA - 90mA. 230V operation 4.5mA - 7mA.

Terminals: 6 x 2.5mm².

Labels: Duty and tag labels available.

Cable Entries: Up to 3 x M20 via knockouts.

AFNOR NF S 32 001 compliant version available – contact sales office for details.

Ordering Requirements

The following code is designed to help in selection of the correct unit. Build up the reference number by inserting the code for each component into the appropriate box. **Standard product, available ex-stock, as follows:**

Product	Description
DB12P024NR	Weatherproof, 110dB(A), 24V d.c., two stage sounder, 27 tones, painted red GRP.
DB12115NR	Weatherproof, 110dB(A), 115-230V a.c., single stage sounder, 27 tones, painted red GRP.

Unit Type		Voltage		Labels		Colour	
Type	Details	Voltage	Code	Label	Code	Colour	Code
DB12	Standard Unit	12V d.c.	012	Duty	D*	Painted Red	R
DB12P	Two Stage (d.c. only)	24V d.c.	024	Tag	T*	Special	S*
		115/230V a.c.	115	None	N	*Please specify	
				*Please specify wording			



All the above specifications, dimensions, weights and tolerances are nominal (typical) and MEDC reserve the right to vary all data without prior notice. No liability is accepted for any consequence of use.

SPEAKERS – Up to 15 Watts for Harsh Industrial & Marine Environments DB14 Range

**IP66/67
Weatherproof
Corrosion Free
All GRP**



Introduction

This range of loudspeakers has a power rating of 15 Watts and is suitable for use in demanding environments where a robust construction and high ingress protection rating is required.

The body is manufactured completely from a UV stable glass reinforced polyester which is also highly flame retardant and impact resistant. Stainless steel screws are incorporated thus ensuring a corrosion free product.

MEDC can also provide a range of sounders suitable for use in potentially explosive atmospheres.

For more information, refer to the catalogue or contact MEDC.

- ★ IP66 and IP67.
- ★ Temperature range -55°C to $+70^{\circ}\text{C}$.
- ★ GRP corrosion-free construction.
- ★ 117dBa at 15 watts at 1 metre.
- ★ 100V line transformer.
- ★ Power tapping, via integral transformer.
- ★ Addressable capability.
- ★ Stainless steel ratcheted mounting bracket.
- ★ Earth continuity available.
- ★ Natural grey finish to RAL 7035.
- ★ BS5839 part 8 compliant version available.

MEDC Ltd, Colliery Road,
Pinxton, Nottingham NG16 6JF, UK.
Tel: +44 (0)1773 864100
Fax: +44 (0)1773 582800

MEDC International, 5829 West Sam Houston Parkway,
North, Suite 1005, Houston, Texas 77041, USA.
Tel: +1 (713) 937 9772
Fax: +1 (713) 937 9773

MEDC Norway, Auglaendsmyraa 6,
4016, Stavanger, Norge.
Tel: +47 51 82 98 98
Fax: +47 51 82 98 91

Sales Enq. Fax: +44 (0)1773 582830 Sales Orders Fax: +44 (0)1773 582832
E-Mail: sales@medc.com Web: www.medc.com



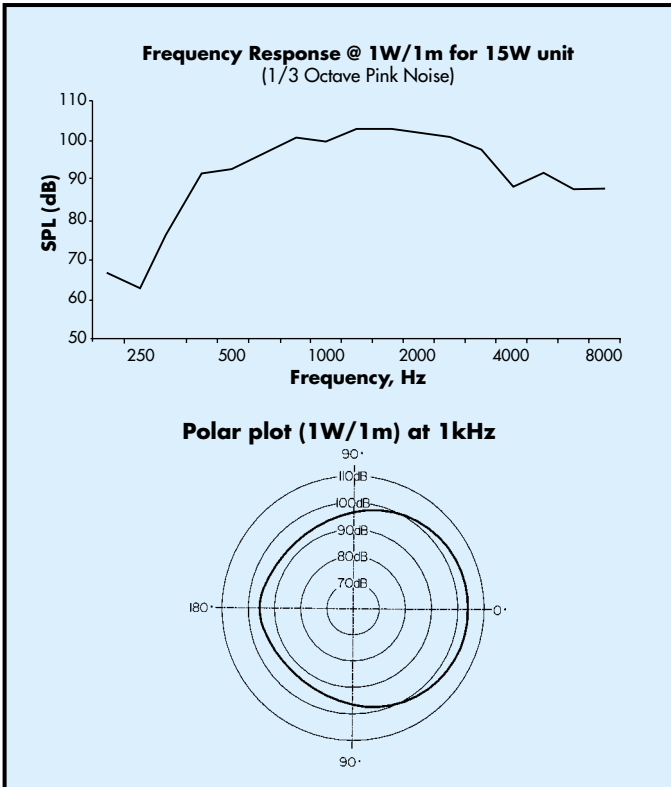
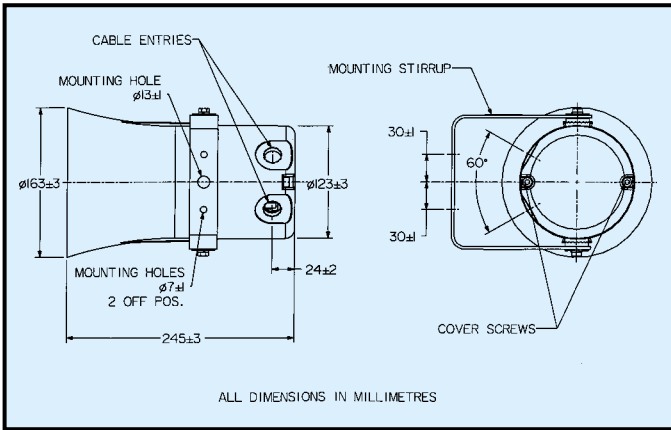
Specification

Rated Power:	15 watts RMS continuous (at 25°C).
Material:	Body & horn in UV stable, glass reinforced polyester. Swivel bracket in stainless steel. Cover screws in stainless steel.
Finish:	Body and horn, natural grey to RAL 7035 or epoxy paint coated to client's colour requirements.
Output:	Maximum output at 1W/1m at 900Hz is 107 dBA. Maximum output at 15W/1m at 900Hz is 117 dBA.
Weight:	2.6kg approx. dependent on model.
Temperature Range:	-55°C to +70°C.
Ingress Protection:	IP66 & IP67.
Frequency Range:	400Hz to 7kHz.
Voice Coil Impedance:	8 ohms.
Addressable:	Consult MEDC for specification.
Terminals:	8 x 2.5mm ² . Other terminal arrangements available on request.
Earth Continuity:	Available.
Mounting:	Bracket with ratchet facility.
Labels:	Duty and tag labels optional.
Cable Entries:	2 x 20mm ISO.
Transformer:	Used to vary the rated power by selecting different tapings (see table below).

Transformer Tappings	Power 15W
1:2	15.0
2:3	7.5
3:4	5.0
1:3	4.0
2:4	2.0
1:4	0.8

Transformer Options:

- Standard Tapping: Loop in/Loop out (4 x 2) terminal tap change (8 terminals).
 - Optional Tapping: 4 terminal tap change with 2 terminals (5 & 6), directly connected to driver (8 ohms).
- Other tapings & driver impedances available on request.



Ordering Requirements

The following code is designed to help in the selection of the correct unit. Build up the reference number by inserting the code for each component into the appropriate box. **Standard products, available ex-stock, as follows:**

Product	Description
DB14XNN	15 Watt Industrial & Marine Loudspeaker, up to 117dB(A), 2 x 20mm entries, natural grey GRP.

Transformer	Code
Yes	X*
None	N
*Standard 100V Other voltages available, specify voltage.	

Option	Code
Duty label	D*
Tag label	T*
Earth continuity	E
BS5839, part 8 compliant	PT8
None	N
*Please specify wording	

Colour	Code
Natural Grey	N
Red	R
Special	S*
*Please specify	



All the above specifications, dimensions, weights and tolerances are nominal (typical) and MEDC reserve the right to vary all data without prior notice. No liability is accepted for any consequence of use.

SOUNDERS – Up to 117dB(A) for Harsh Industrial & Marine Environments DB15 Range

IP66/67
Weatherproof
Corrosion Free
All GRP



Introduction

This range of sounders have been specially designed for use in demanding industrial and marine environments where a robust construction and high ingress protection rating is required.

The body is manufactured completely from a UV stable glass reinforced polyester which is also highly flame retardant and impact resistant. Stainless steel screws are incorporated thus ensuring a corrosion free product.

MEDC can also provide a range of sounders suitable for use in potentially explosive atmospheres.

For more information, refer to the catalogue or contact MEDC.

- ★ IP66 and IP67.
- ★ Temperature range -55°C to $+70^{\circ}\text{C}$.
- ★ Corrosion resistant grey painted GRP.
- ★ Up to 117dB(A) output.
- ★ 27 user selectable tones.
- ★ Tones may be programmed to customer's specification.
- ★ Stainless steel ratcheted mounting bracket.
- ★ Earth continuity available.
- ★ Paint finish to customer requirement.
- ★ Available compliant to AFNOR NF S 32 001.

MEDC Ltd, Colliery Road,
Pinxton, Nottingham NG16 6JF, UK.
Tel: +44 (0)1773 864100
Fax: +44 (0)1773 582800

MEDC International, 5829 West Sam Houston Parkway,
North, Suite 1005, Houston, Texas 77041, USA.
Tel: +1 (713) 937 9772
Fax: +1 (713) 937 9773

MEDC Norway, Auglaendsmyraa 6,
4016, Stavanger, Norge.
Tel: +47 913 92 289
Fax: +47 914 46 030

Sales Enq. Fax: +44 (0)1773 582830 Sales Orders Fax: +44 (0)1773 582832
E-Mail: sales@medc.com Web: www.medc.com



Specification

Material: Body & horn in UV stable, glass reinforced polyester.
Swivel bracket in stainless steel.
Cover screws in stainless steel.

Finish: Epoxy paint coated to client's colour requirements.

Sound Output: DB15 117dB(A) Maximum.

Volume Control: Integral volume control

*Nominal Output (dBa)	Input Current (mA)
100	150
105	250
108	350
110	450
112	550

*Output measured with 24V input voltage. Tone set to 970Hz continuous.

Weight: 2.6kg approx. dependent on model.

Temperature Range: -55°C to +70°C.

Ingress Protection: IP66 and IP67.

Voltage: Up to 48V d.c. Up to 254V a.c.

Current Consumption:

V	I
12V d.c.	900mA
24V d.c.	600mA
48V d.c.	280mA
110V a.c.	150mA
120V a.c.	175mA
220V a.c.	93mA
240V a.c.	86mA
254V a.c.	80mA

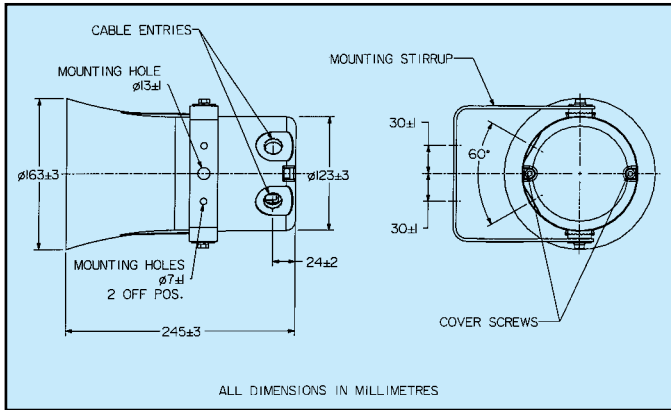
Terminals: 4 x 2.5mm² (a.c.), 6 x 2.5mm² (d.c.).

Earth Continuity: Available.

Mounting: Stainless steel bracket with ratchet facility.

Labels: Duty and tag labels optional.

Cable Entries: 2 x 20mm ISO.



Tone Selection

DB15: 27 user selectable tones available.
Additional 5 tones may be programmed.

DB15P (Two stage unit): Switchable between any two of the 27 tones by either:
(i) Reversing the polarity of the supply, or
(ii) by a 3 wire common +ve system, switching between the two -ve lines.

Note: Two stage unit available in d.c. versions (DB15P) only.

AFNOR NF S 32 001 compliant version available – contact sales office.

Ordering Requirements

The following code is designed to help in the selection of the correct unit. Build up the reference number by inserting the code for each component in the appropriate box. **Standard products, available ex-stock, as follows:**

PRODUCT	DESCRIPTION
DB15P048NG	DB15P Two Stage Sounder up to 117dB(A), 24V-48V d.c., choice of 27 tones, 2 x 20mm entries, grey painted GRP.
DB15P048NR	DB15P Two Stage Sounder up to 117dB(A), 24V-48V d.c., choice of 27 tones, 2 x 20mm entries, red painted GRP.
DB15240NG	DB15 Sounder up to 117dB(A), 240V a.c., choice of 27 tones, 2 x 20mm entries, grey painted GRP.
DB15240NR	DB15 Sounder up to 117dB(A), 240V a.c., choice of 27 tones, 2 x 20mm entries, red painted GRP.

Unit Type

DB15
DB15P

Voltage

Voltage	Code
12V d.c.	012
24V-48V d.c.	048
*110V a.c.	110
*120V a.c.	120
*220V a.c.	220
*240V a.c.	240
*254V a.c.	254
*DB15P not available in a.c. version.	

Options

Option	Code
Duty	D*
Tag	T*
Earth Continuity	E
End of Line Resistor R†	
Blanking Plug	P
None	N
*Please specify wording	
†Specify value	

Colour

Colour	Code
Painted Grey	G
Red	R
Special	S*
*Please specify	



All the above specifications, dimensions, weights and tolerances are nominal (typical) and MEDC reserve the right to vary all data without prior notice. No liability is accepted for any consequence of use.

10 JOULE XENON BEACONS for Harsh Industrial & Marine Environments XB13 Range

**IP66/67
Weatherproof**
**Corrosion Free
GRP/Polycarbonate**



Introduction

This range of ruggedised, weatherproof beacons, has been designed with high ingress protection to cope with harsh environmental conditions.

MEDC can also provide a range of beacons suitable for use in potentially explosive atmospheres.

For more information, refer to the catalogue or contact MEDC.

- ★ Weatherproof.
- ★ IP66 & IP67.
- ★ Operating temperature -55°C to $+70^{\circ}\text{C}$.
- ★ Corrosion resistant red painted GRP body.
- ★ High intensity flash.
- ★ Polycarbonate lens, various colours available.
- ★ Retained stainless steel cover screws.
- ★ Optional lens guard.
- ★ Optional telephone or relay initiate.
- ★ 3 x M20 cable entries.
- ★ Replaceable tube.
- ★ Switchable dual flash.

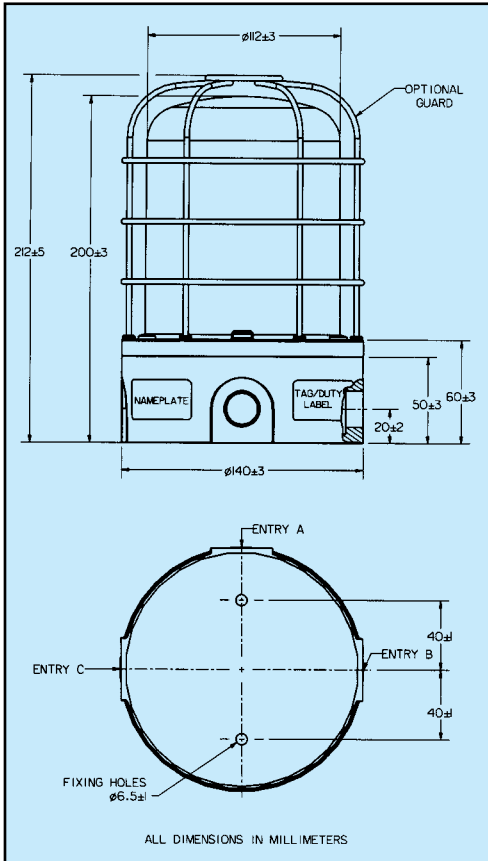
MEDC Ltd, Colliery Road,
Pinxton, Nottingham NG16 6JF, UK.
Tel: +44 (0)1773 864100
Fax: +44 (0)1773 582800

MEDC International, 5829 West Sam Houston Parkway,
North, Suite 1005, Houston, Texas 77041, USA.
Tel: +1 (713) 937 9772
Fax: +1 (713) 937 9773

MEDC Norway, Auglaendsmyråa 6,
4016, Stavanger, Norge.
Tel: +47 913 92 289
Fax: +47 914 46 030

Sales Enq. Fax: +44 (0)1773 582830 Sales Orders Fax: +44 (0)1773 582832
E-Mail: sales@medc.com Web: www.medc.com





Specification

Material:	UV stable glass reinforced polyester body. UV stable polycarbonate cover/lens. Retained stainless steel cover screws.
Finish:	Painted red as standard or to Customer's specification.
Tube Energy:	10 Joules (second flash 7.5 Joules).
Weight:	1.1kg,
Operating Temperature:	-55°C to +70°C.
Ingress Protection:	IP66 & IP67.
Tube Life:	> 1 x 10 ⁶ flashes.
Voltage:	12V d.c., 24V d.c., 115V a.c., 230V a.c.

Current Consumption:	Voltage	Current Consumption
	12V d.c.	1.4A
	24V d.c.	650mA
	115V a.c.	180mA
	230V a.v.	100mA

Tube Type:	Xenon discharge.
Lens Colour:	Various colours available.
Terminals:	8 x 2.5mm ² .
Flash Rate:	1 flash per second.
Dual Flash Rate:	Time between dual flashes = 0.5 seconds. Charging time = 1 second. Cycle repeats every 1.5 seconds.
Labels:	Duty and tag labels available.
Cable Entries:	Up to 3 x M20 via knockouts.
Intensity:	Effective intensity 220 Cd. Peak intensity 75,000 Cd. (Figures are for clear lens at 1Hz flash rate).

FOR COLOURED LENSES

Colour	Red	Blue	Amber	Green	Yellow
Multiplying Factor	0.15	0.12	0.51	0.49	0.86

Ordering Requirements

The following code is designed to help in the selection of the correct unit. Build up the reference number by inserting the code for each component into the appropriate box. **Standard products available ex-stock as follows:**

Product	Description
XB13024RNNR	Weatherproof, 10J, 24V d.c., red lens, painted red body.
XB13024ANNR	Weatherproof, 10J, 24V d.c., amber lens, painted red body.
XB13230RNNR	Weatherproof, 10J, 230V a.c., red lens, painted red body.
XB13230ANNR	Weatherproof, 10J, 230V a.c., amber lens, painted red body.

Unit Type	Voltage	Lens Colour	Lens Guard	Options	Unit Finish																																																
XB13																																																					
	<table border="1"> <thead> <tr> <th>Voltage</th> <th>Code</th> </tr> </thead> <tbody> <tr> <td>12V d.c.</td> <td>012</td> </tr> <tr> <td>24V d.c.</td> <td>024</td> </tr> <tr> <td>115V a.c.</td> <td>115</td> </tr> <tr> <td>230V a.c.</td> <td>230</td> </tr> </tbody> </table>	Voltage	Code	12V d.c.	012	24V d.c.	024	115V a.c.	115	230V a.c.	230	<table border="1"> <thead> <tr> <th>Colour</th> <th>Code</th> </tr> </thead> <tbody> <tr> <td>Red</td> <td>R</td> </tr> <tr> <td>Blue</td> <td>B</td> </tr> <tr> <td>Green</td> <td>G</td> </tr> <tr> <td>Yellow</td> <td>Y</td> </tr> <tr> <td>Amber</td> <td>A</td> </tr> <tr> <td>Clear</td> <td>C</td> </tr> </tbody> </table>	Colour	Code	Red	R	Blue	B	Green	G	Yellow	Y	Amber	A	Clear	C	<table border="1"> <thead> <tr> <th>Guard</th> <th>Code</th> </tr> </thead> <tbody> <tr> <td>Yes</td> <td>Y</td> </tr> <tr> <td>None</td> <td>N</td> </tr> </tbody> </table>	Guard	Code	Yes	Y	None	N	<table border="1"> <thead> <tr> <th>Option</th> <th>Code</th> </tr> </thead> <tbody> <tr> <td>Duty</td> <td>D*</td> </tr> <tr> <td>Tag</td> <td>T*</td> </tr> <tr> <td>Telephone Initiate</td> <td>I</td> </tr> <tr> <td>Relay Initiate</td> <td>R</td> </tr> <tr> <td>None</td> <td>N</td> </tr> </tbody> </table> <p>*Please specify wording</p>	Option	Code	Duty	D*	Tag	T*	Telephone Initiate	I	Relay Initiate	R	None	N	<table border="1"> <thead> <tr> <th>Colour</th> <th>Code</th> </tr> </thead> <tbody> <tr> <td>Painted Red</td> <td>R</td> </tr> <tr> <td>Special</td> <td>S*</td> </tr> </tbody> </table> <p>*Please specify</p>	Colour	Code	Painted Red	R	Special	S*
Voltage	Code																																																				
12V d.c.	012																																																				
24V d.c.	024																																																				
115V a.c.	115																																																				
230V a.c.	230																																																				
Colour	Code																																																				
Red	R																																																				
Blue	B																																																				
Green	G																																																				
Yellow	Y																																																				
Amber	A																																																				
Clear	C																																																				
Guard	Code																																																				
Yes	Y																																																				
None	N																																																				
Option	Code																																																				
Duty	D*																																																				
Tag	T*																																																				
Telephone Initiate	I																																																				
Relay Initiate	R																																																				
None	N																																																				
Colour	Code																																																				
Painted Red	R																																																				
Special	S*																																																				



All the above specifications, dimensions, weights and tolerances are nominal (typical) and MEDC reserve the right to vary all data without prior notice. No liability is accepted for any consequence of use.

MANUAL CALL POINT


Intrinsically Safe (EExia), Weatherproof
BG3 Range



Introduction

This manual fire alarm call point is designed in accordance with the latest draft European Call Point Standard (EN54-11).

Weatherproof to IP66 and IP67 and available certified intrinsically safe, simple apparatus or uncertified, the units are manufactured from glass reinforced polyester (GRP) which provides a robust, corrosion free construction and ensures effective and reliable operation in harsh industrial and offshore environments.

Units are supplied in natural red GRP or painted to customer specification. 'Burning House'  duty label is provided as standard, other duty and tag labels may be supplied to customer specification.

- ★ Zone 0, Zone 1 and Zone 2 use.
 - ★ EExia IIC T4.
 - ★ ATEX Approved Ex II 1 G.
 - ★ BASEEFA certified.
 - ★ Chinese (CQST) certified.
 - ★ Designed in accordance with EN54-11.
 - ★ IP66 and IP67.
 - ★ Certified temperature -55°C to +55°C.
 - ★ Corrosion free GRP.
 - ★ Optional in line/end of line resistors/diodes.
 - ★ Optional LED indicator.
 - ★ Optional lift flap.
 - ★ Key operated test facility.
 - ★ Various body colours available.
- Contact MEDC for details.

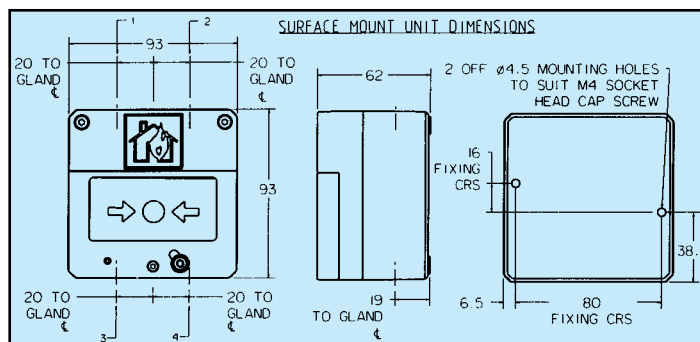
MEDC Ltd, Colliery Road,
Pinxton, Nottingham NG16 6JF, UK.
Tel: +44 (0)1773 864100
Fax: +44 (0)1773 582800

MEDC International, 5829 West Sam Houston Parkway,
North, Suite 1005, Houston, Texas 77041, USA.
Tel: +1 (713) 937 9772
Fax: +1 (713) 937 9773

MEDC Norway, Auglaendsmyrå 6,
4016, Stavanger, Norge.
Tel: +47 913 92 289
Fax: +47 914 46 030

Sales Enq. Fax: +44 (0)1773 582830 Sales Orders Fax: +44 (0)1773 582832
E-Mail: sales@medc.com Web: www.medc.com





Technical Specification

MODEL	BG3I	BG3W
PROTECTION	Explosion Protected EExi (Intrinsically Safe)	Dust-tight & Weatherproof
CERTIFICATION	CENELEC EN50014, 020 BASEEFA EExia IIC T4 Cert No. BAS00ATEX1067X Suitable for use in Zones 0, 1 & 2 Chinese Certification CQST – Exia IIC T4	Not applicable
VOLTAGE	Up to 28V (IS)	Up to 250V a.c.
CERTIFIED TEMPERATURE	-55°C to +55°C	Not applicable
INGRESS PROTECTION	IP66 & IP67	IP66 & IP67
EUROPEAN STANDARD FOR CALL POINTS	EN54-11	EN54-11
TERMINALS	6 x 4.0mm ²	6 x 4.0mm ²
SWITCH RATINGS	Not Applicable	DC: 0 - 30V 3A resistive or inductive 30V - 50V 1A resistive or inductive AC: 0 - 250V 3A resistive or inductive
RESISTOR VALUES	470R Minimum	270R Minimum
CABLE ENTRIES	2 x M20 top or bottom	2 x M20 top or bottom
WEIGHT	0.5Kg	0.5Kg
MATERIAL	UV resistant glass reinforced polyester	UV resistant glass reinforced polyester
FINISH	Natural Red GRP or Painted GRP to Customer requirements	
DUTY/TAG LABELS	Stainless steel as standard	Plastic as standard

Ordering Requirements

The following code is designed to help in the selection of the correct unit. Build up the reference number by inserting the code for each feature into the appropriate box. **Standard products available ex-stock as follows:**

PRODUCT	DESCRIPTION
BG3I1NBR	Intrinsically safe, ATEX approved Ex II 1G, certified EExia IIC T4, Glass Label 'Fire Break Glass Press Here', Duty Label 'Burning House', single switch, no features, 2 x 20mm bottom entry, natural red.
BG3W1NBR	Weatherproof, uncertified, Glass Label 'Fire Break Glass Press Here', Duty Label 'Burning House', single switch, no features, 2 x 20mm bottom entry, natural red.

Model	Certification	Labels	Features	Entries	Body Colour		
BG3							
Certification	Code	Label Type	Code	Entries	Code	Colour	Code
Weatherproof	W	Glass Label	None	2x20mm (bottom)	B	Natural Red	R
EExia	I	Fire Break Glass 'Press Here'	Resistor Series	2 x 20mm (top)	T	Blue	B
Chinese (CQST)	Q	Break Glass 'Press Here'	Resistor EOL	For blanking plugs add 'P' to code. e.g. BP, 2 x 20mm bottom entries with one blanking plug.			
		Special	Diode				
		European Standard (draft)	Polycarbonate Lift flap				
		→○←	Stainless steel Lift flap				
		Duty Label (special)	LED				
		(Burning House as standard)	Double changeover				
		Tag Label	Plastic Element (replaces break glass)			White	W
		Specify wording on '3', '5' & '6'				Yellow	Y
						Special	S

* Please specify



All the above specifications, dimensions, weights and tolerances are nominal (typical) and MEDC reserve the right to vary all data without prior notice. No liability is accepted for any consequence of use.