



Gas



Liquid & Slurry



Solid & Powder



Steam & Water

# SENTRY GA SAMPLER

## Cross-Cut Samplers

### AUTOMATIC SAMPLING

The Sentry® GA automatic cross-cut sampler automates sampling of dry free-flowing materials such as grain, granules, powders, flakes or pellets in vertical or inclined chutes. A cross-cut sampler captures a cross section of an entire material stream and is used in situations where material segregation exists.

To obtain a sample, the Sentry GA sampler's air-actuated pelican type head moves across the process flow in the chute and deposits it at the discharge. The material sampled is discharged through a flexible hose to a collection point. Material characteristics are not affected by the sampler because no moving parts convey the material to the sample container. Sample volume can be changed at the sampler controller.

### MODELS

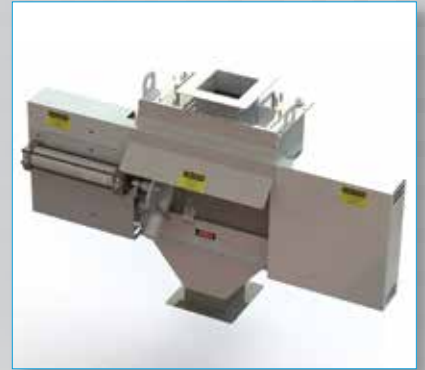
GA | GE | GH

### BENEFITS

With representative sampling, characteristics of each sample match that of the entire lot or batch – so samples are repeatable, leading to accurate sample analysis data. Automatic sampling ensures a sample can be easily and safely obtained with no need for direct human interface or interference. This ensures sample integrity as well as operator safety.

### FEATURES

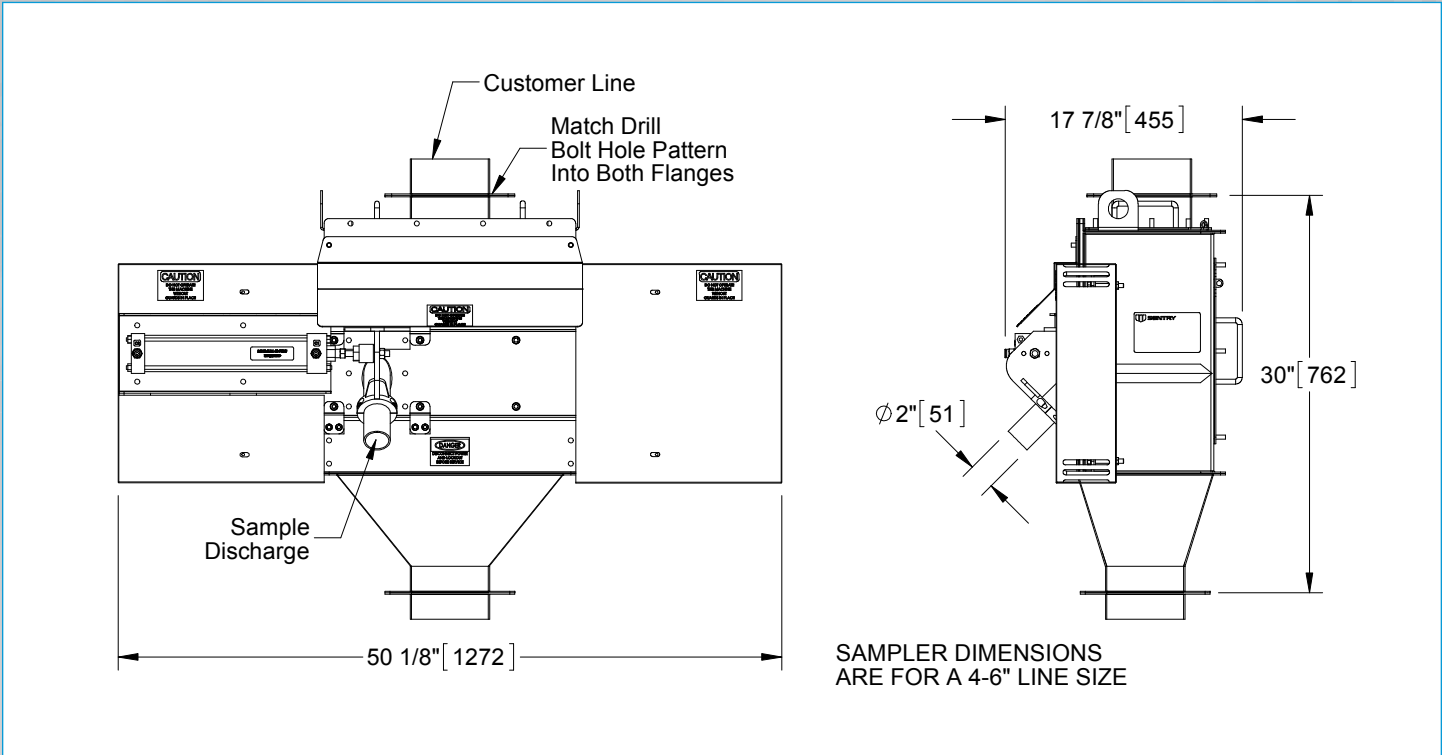
- Customized to meet various application needs
- Wetted components are 300 series stainless steel
- White nitrile seals or gaskets
- USDA, Canadian, FGIS and NOPA approved
- Square or round gravity chutes; 2 or 3-inch diameter (51 or 76 mm) discharge tube
- Designed to eliminate the degradation of sample material
- No moving parts in conveyance from sampler to container, keeping material characteristics consistent
- CE and ATEX compliant models available
- Pneumatic, electric or hydraulic actuation for flexibility
- Includes air filter, regulator and gauge where applicable
- Adjustable pelican opening available
- Optional wear lining in lower transition
- Optional release coating to ensure a non-stick surface
- QPQ hardening on contact surfaces available to protect against wear and abrasion
- Explosion proof (XP) motor available
- Pre-plumbed filter/regulator and solenoid valve available



Sample. Monitor. Measure.

# SENTRY

Any Application. Anywhere.



**SPECIFICATIONS**

<b>materials</b>	300 series stainless steel, white nitrile, UHMW-PE, aluminum cylinder
<b>particle size</b>	10 µm to 1/4 in (6 mm); larger sizes upon request
<b>temperature rating</b>	-10 to 180°F (-23 to 82°C)
<b>air requirements</b>	air pressure of 60 to 80 psi (4.1 to 5.5 bar) recommended; air usage 524 cc per inch of stroke
<b>suggested connection to sample discharge</b>	flexible tubing to a collection container or indexing cabinet
<b>inlet size</b>	4 to 36 in (10 to 91 cm) square or round
<b>recommended sampler location</b>	vertical or inclined spouts
<b>quantity of sample</b>	determined by flow rate and aperture size
<b>collection containers</b>	PET jar, 304 stainless steel jar
<b>pressure rating</b>	ATM
<b>shipping weight</b>	consult Sentry Equipment



[sentry-equip.com](http://sentry-equip.com)

966 Blue Ribbon Circle North, Oconomowoc, WI 53066 U.S.A. | +1-262-567-7256 | [sales@sentry-equip.com](mailto:sales@sentry-equip.com)

© 2016 Sentry Equipment Corp. All rights reserved. All product and company names are property of their respective owners. It is solely the responsibility of end users, through their own testing and analysis, to select products and materials suitable for their specific application requirements, ensure they are properly installed, safely applied and properly maintained, and to limit their use to their intended purpose. Improper selection, installation or use may result in personal injury or property damage.

S-SP-SPS-00169-4 6-16



COMPANY WITH  
QUALITY SYSTEM  
CERTIFIED BY DNV GL  
= ISO 9001 =