



Gas



Liquid & Slurry



Solid & Powder



Steam & Water

# SENTRY ISOLOK SAB SAMPLER

## Point Samplers



### AUTOMATIC SAMPLING

The Sentry® ISOLOK® SAB automatic point sampler is a larger capacity sampler that provides representative samples of liquids and slurries such as waste acid, resin bead slurry, bauxite mud and raw municipal sludge.

The ISOLOK SAB sampler operates when compressed air forces the plunger into the process line to capture a fixed volume of material. Compressed air then acts on the opposite side of the piston to retract the plunger to a position which allows the sample to drop by gravity into a container.

#### MODELS

ISOLOK SAB

#### BENEFITS

The Sentry ISOLOK SAB sampler seal design isolates the operator from the process at all times, with the sample captured in the container "locked out" from external influences.

Metal parts of the sampler are made of 316 stainless steel; other alloys are available for varied applications and process conditions. Process contact seals are filled Teflon for chemical applications or wear-resistant elastomers for abrasive slurries. Modular components allow selection of various bodies and plungers to meet different process applications.

#### FEATURES

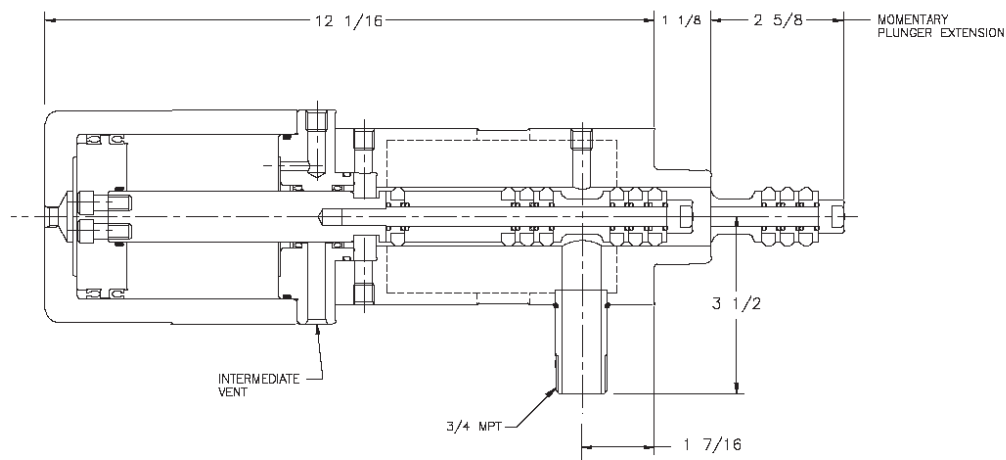
- Two different models for sampling fixed volumes of 10 cc or 25 cc per sample cycle
- Handles line pressures from vacuum up to 300 psi (20.7 bar) in most applications
- Rugged 316 stainless steel construction
- Batch or composite sampling
- Options include port closures, different container types, sampler enclosures (with or without heater), sample heating or refrigeration, and optional materials of construction and seal choices
- ATEX-compliant models available



Sample. Monitor. Measure.

# SENTRY

Any Application. Anywhere.



**SPECIFICATIONS**

|                            |   |
|----------------------------|---|
| sample volume per cycle    | 10 or 25 cc   |
| maximum cycle frequency    | 10 strokes per minute, depending on application                 |
| maximum particle size      | .375 in (9 mm)  |
| line mounting options      | MNPS thread, tri-clamp, instrument hub, bolted hub, ANSI flange |
| materials                  | 316 stainless steel; other materials available                  |
| cylinder seals             | Halar®, TFE or custom   |
| plunger seals              | TFE, polyurethane, EPDM rubber, Kalrez® or custom               |
| compressed air requirement | 2 SCFM at 90 psi (.05 m <sup>3</sup> /minimum at 6.2 bar)       |
| dimensions                 | 13.19 in x 4 in (33.5 cm x 10 cm)                               |
| shipping weight            | 28 to 32 lb (12.7 to 14.5 kg)                                   |

Kalrez is a registered trademark of E. I. Du Pont de Nemours and Company.  
 Halar is a registered trademark of Ausimont, U.S.A. Inc.



[sentry-equip.com](http://sentry-equip.com)

966 Blue Ribbon Circle North, Oconomowoc, WI 53066 U.S.A. | +1-262-567-7256 | [sales@sentry-equip.com](mailto:sales@sentry-equip.com)



© 2016 Sentry Equipment Corp. All rights reserved. All product and company names are property of their respective owners. It is solely the responsibility of end users, through their own testing and analysis, to select products and materials suitable for their specific application requirements, ensure they are properly installed, safely applied and properly maintained, and to limit their use to their intended purpose. Improper selection, installation or use may result in personal injury or property damage.

S-LS-SPS-00200-6 5-16

COMPANY WITH  
 QUALITY SYSTEM  
 CERTIFIED BY DNV GL  
 = ISO 9001 =