

# POLYMETRON 9500 CONTROLLER

## Applications

- Power



## One controller for a broad range of sensors.

### Save time on design

A single design source and one product platform means you spend less time searching for design files or configuring components. Create and reuse your optimal design templates.

### Accelerate your installation

One source, interchangeable components, a common user interface, and one support team make installation faster and less complicated. Quickly and easily transfer user settings between controllers.

### Reduce training complexity

A single platform minimises time required to teach and learn product operations, getting new systems in use faster.

### Simplify maintenance and operation

Common menu guides reduce variability and provide step-by-step procedures for maintenance and calibration. Standard visual alerts across parameters notify operators when troubleshooting is required.

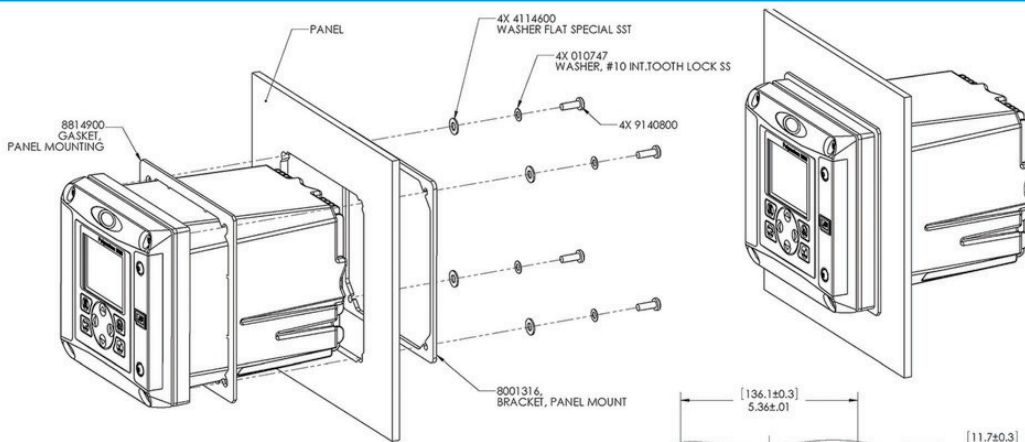
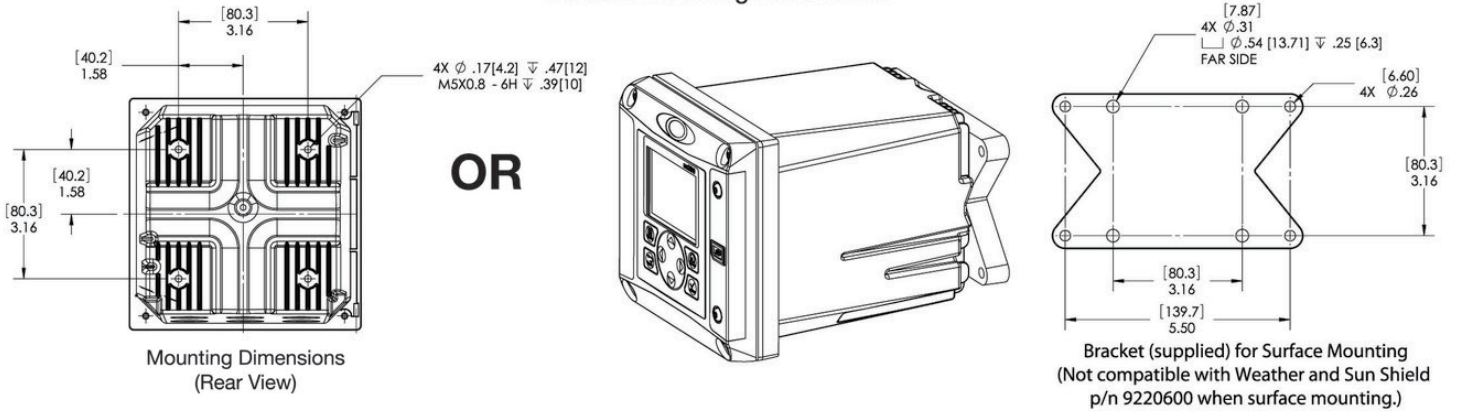
## Technical Data\*

<b>Dimensions (H x W x D)</b>	144 mm x 144 mm x 181 mm	<b>Enclosure waterproof rating</b>	IP66 / NEMA 4X
<b>Display</b>	Graphic dot matrix LCD with LED backlighting, transreflective	<b>Conduit openings</b>	1/2" NPT Conduit
<b>Display size</b>	48 x 68 mm	<b>Relay:</b>	Primary or secondary measurement, calculated value (dual channel only) or timer/scheduler
<b>Display resolution</b>	240 x 160 pixels	<b>Operational mode</b>	
<b>Weight</b>	1.70 kg	<b>Relay functions</b>	Scheduler (timer), alarm, feeder control, event control, pulse width modulation, frequency control, and warning
<b>Power requirements (Voltage)</b>	100 - 240 V AC, 24 V DC	<b>Relays</b>	Four electromechanical SPDT (Form C) contacts, 1200 W, 5 A
<b>Power requirements (Hz)</b>	50/60 Hz	<b>Communication: digital</b>	Modbus RS232/RS485, Profibus DP, HART
<b>Operating temperature range</b>	-20 - 60 °C at 0 to 95% RH (non-condensing)	<b>Electrical Certifications</b>	EMC CE compliant for conducted and radiated emissions: - CISPR 11 (Class A limits) - EMC Immunity EN 61326-1 (Industrial limits)
<b>Storage conditions</b>	-20 - 70 °C		Safety - General Locations per EN 61010-1
<b>Analogue outputs</b>	Two (Five with optional expansion module) 0/4 to 20 mA isolated current outputs, max. 550 Ω,  Accuracy: ±0.1% of FS (20 mA) at 25 °C, ±0.5% of FS over -20 °C to 60 °C range		
<b>Analogue output functional mode</b>	Linear, logarithmic, bi-linear, PID		
<b>Security levels</b>	2		
<b>Mounting configurations</b>	Wall, pole, and panel mounting		

\*Subject to change without notice.

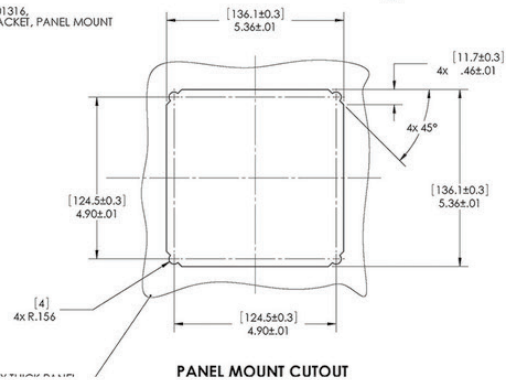
**Dimensions**

**Surface Mounting Dimensions**

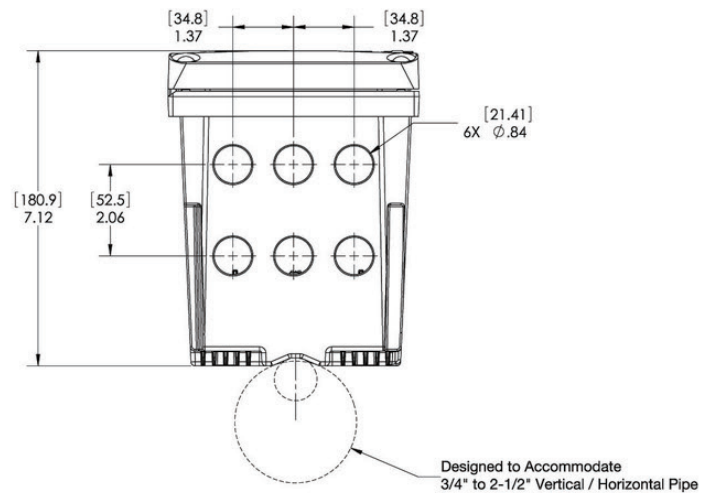
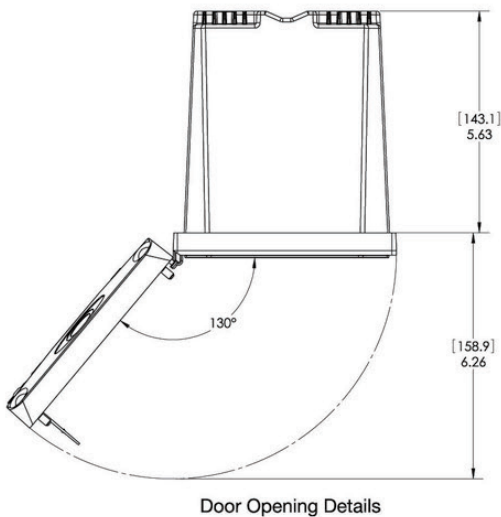


**PANEL MOUNT**

NOTE: ALL CONNECTIONS ON THE BASE OF THE ENCLOSURE ARE TO BE REMOVED WHEN INSTALLING THE CONTROLLER IN PANEL.



**Top and Bottom Views**



## Order Information

### Polymetron 9500 Controllers

<b>9500.99.00604</b>	Polymetron 9500 controller, 1 Channel, Ultrapure conductivity
<b>9500.99.00704</b>	Polymetron 9500 controller, 1 Channel, Ultrapure pH
<b>9500.99.00664</b>	Polymetron 9500 controller, 2 Channel, Ultrapure conductivity
<b>9500.99.00774</b>	Polymetron 9500 controller, 2 Channel, Ultrapure pH

*Note: Other sensor combinations and communications options are available.  
Please contact Hach Technical Support or your Hach representative.*

### Sensor and Communication Modules

<b>9012805</b>	4-20 mA Input Module
<b>9525700</b>	Analogue pH/ORP Module for Polymetron Sensors
<b>9525800</b>	Analogue Conductivity Module for Polymetron Sensors
<b>9013205</b>	Modbus RS232/485 Module
<b>6792601</b>	Profibus DP Module
<b>9328105</b>	HART Module
<b>9334600</b>	4-20 mA Output Module (provides 3 additional mA Outputs)

### Accessories

<b>9218200</b>	SD card reader (USB) for connection to PC
<b>9218100</b>	4 GB SD card