

HAM-LET FILTERS

T - TYPE & IN-LINE FILTERS

H600 SERIES



T-TYPE & IN-LINE PROCESS FILTERS H600 SERIES

H600-R FEATURES

- Bar Stock 316 St.St. or Brass Construction
- On-line Maintenance
- High-Pressure Characteristics (6000 psi in 316St.St. and 2000 psi in brass)
- Interchangeable Parts
- HAM-LET LET-LOK® Ends, Male & Female NPT, and HTC® Face Seal Bead
- Replaceable Filter Elements Available
in Filtration levels: 0.5, 2, 7.0, 15, 60 and 90 micron.
- Other Filter elements available upon request.

GENERAL

The H600-R Series is a T-type filtration device, which will protect a system's components from fluid particles and contaminants. The H600-R provides easy on-line maintenance without disassembling the system.

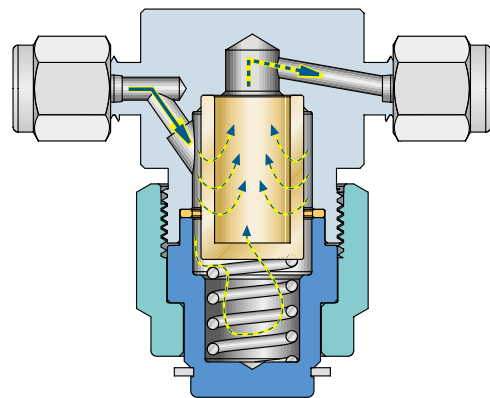
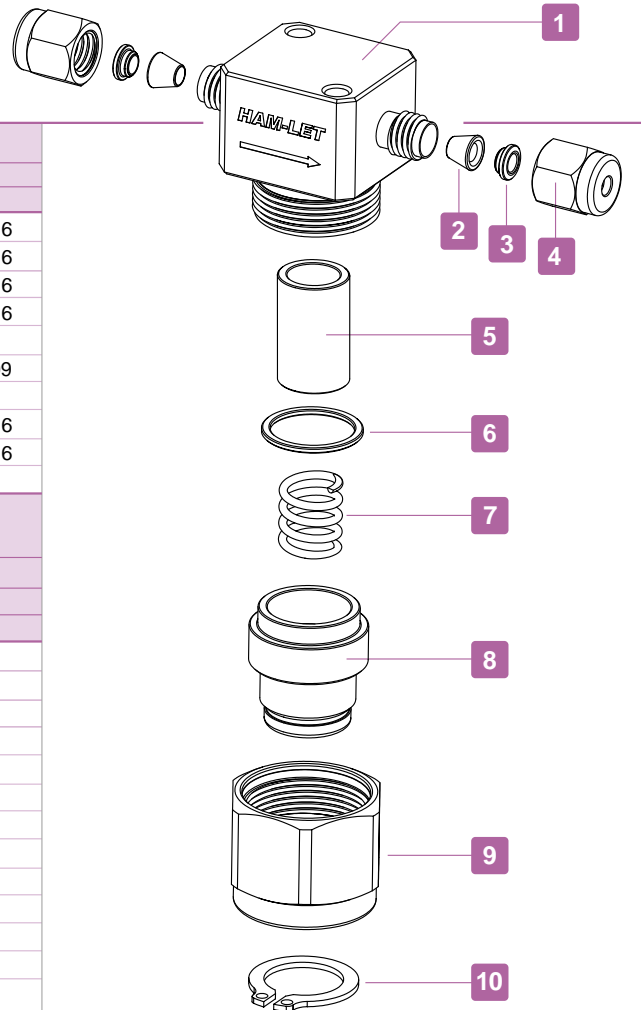
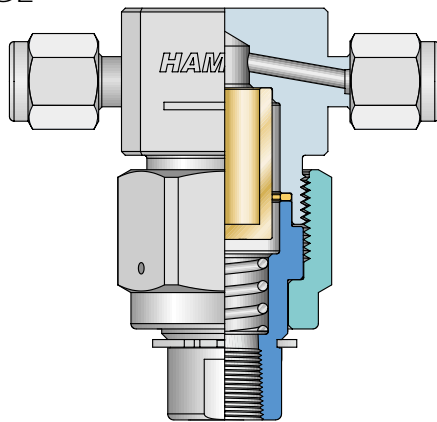
T-TYPE FILTERS, MATERIALS

No.	Part	Qty.	Material	
			316 St.St.	Brass
1	Body	1	St.St.ASTM A-276	Brass ASTM B-16
2	Front Ferulle	2	St.St.ASTM A-276	Brass ASTM B-16
3	Back Ferulle	2	St.St.ASTM A-276	Brass ASTM B-16
4	Nut	2	St.St.ASTM A-276	Brass ASTM B-16
5	Filtration Element	1	316 St.St. (Sintered)	
6	Gasket Ring	1	316St.St. (Silver Plated)	Aluminum / B 209
7	Spring	1	316 St.St. 302	
8	Insert	1	St.St.ASTM A-276	Brass ASTM B-16
9	Record Nut	1	St.St.ASTM A-276	Brass ASTM B-16
10	Locking Ring	1	St.St.ASTM A-276	

T-TYPE FILTERS, PRESSURE - TEMPERATURE RATING

Connection Sizes		Material		All 316 St.St.		All Brass	
Temperature °F (°C)		Allowed Working Pressure, psig / bar					
Min.	Max.	psig	bar	psig	bar	psig	bar
-20 (-28)	100 (37)	6000	414	2000	138		
	200 (93)	5160	356	1730	119		
	300 (148)	4660	321	1470	101		
	400 (204)	4280	295	-	-		
	500 (260)	3980	274	-	-		
	600 (315)	3760	259	-	-		
	650 (343)	3700	255	-	-		
	700 (371)	2600	248	-	-		
	750 (398)	3520	243	-	-		
	800 (426)	3460	239	-	-		
850 (454)	3380	233	-	-			
900 (482)	3280	223	-	-			

H600-R SERIES,
BY-PASS / PURGE
(see orderin information
on page 7)



T-TYPE & IN-LINE PROCESS FILTERS H600 SERIES

H600-R

CLEANING & PACKAGING

HAM-LET Filters are treated with HAM-LET Passivation Cleaning and Packaging (Procedure 8075).

HAM-LET Filters with face-seal end connections are treated with HAM-LET Oxygen Cleaning and Packaging (Procedure 8055).

Oxygen Cleaning and Packaging for other end connections are available as an option.

TESTING

The H600 and H600-R series designs have been tested for Proof and Burst.

Each HAM-LET filter is Nitrogen tested for leakage at 1000 psi.

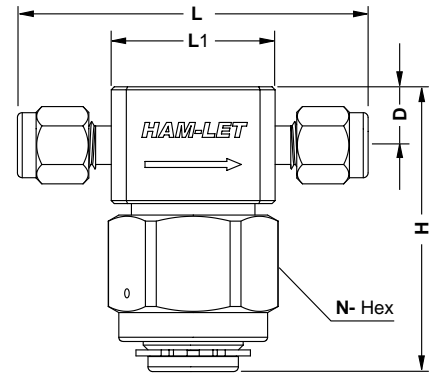
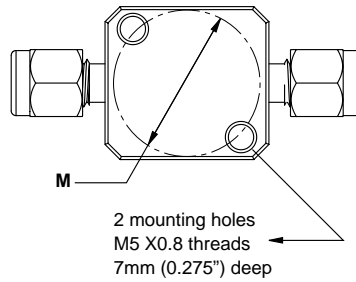
T-TYPE FILTER - PRESSURE DROP												
Nominal Element Pore Size μm	Inlet Pressure, psig (bar)						Pressure Drop, psig (bar)					
	5 (0.34)		10 (0.68)		15 (1.0)		10 (0.68)		50 (3.4)		100 (6.8)	
	Air Flow						Water Flow					
	std ft3/min	std L/min	std ft3/min	std L/min	std ft3/min	std L/min	US gal/min	L/min	US gal/min	L/min	US gal/min	L/min
	Connection Size: 1/8"						Connection Size: 1/8"					
0.5	0.04	1.1	0.06	1.7	0.12	3.4	0.004	0.15	0.17	0.6	0.29	1.1
2	0.2	5.7	0.4	11.3	0.6	17.0	0.008	0.3	0.24	0.9	0.4	1.5
7	0.5	14.2	0.9	25.5	1.2	34.0	0.1	0.4	0.3	1.1	0.48	1.8
15	0.8	22.7	1.3	36.8	1.5	42.5	0.12	0.5	0.36	1.4	0.58	2.2
60	1.7	48.1	2.2	62.3	2.4	68.0	0.15	0.6	0.5	1.9	0.6	2.3
90	1.8	51.0	2.2	62.3	2.6	73.6	0.2	0.8	0.5	1.9	0.6	2.3
*40,140,200	1.8	51.0	2.3	65.1	2.6	73.6	0.2	0.8	0.5	1.9	0.7	2.6
	Connection Size: 1/4", 6MM						Connection Size: 1/4", 6MM					
0.5	0.12	3.4	0.26	7.4	0.48	13.6	0.004	0.15	0.17	0.6	0.29	1.1
2	0.6	17.0	1.14	39.6	2.3	65.1	0.24	0.9	0.86	3.3	1.3	4.9
7	1.4	39.6	2.9	82.1	4.7	133.1	0.4	1.5	1.3	4.9	2	7.6
15	1.2	34.0	2.9	82.1	4.7	133.1	0.5	1.9	1.3	4.9	2.1	7.9
60	3.1	87.8	5.9	167.1	8.5	240.7	0.8	3.0	2.7	10.2	3.9	14.8
90	4.1	116.1	7.5	212.4	10	283.2	1.1	4.2	3.4	12.9	4.9	18.5
*40,140,200	4.7	133.1	8.8	249.2	12	339.8	1.2	4.5	4.2	15.9	5.6	21.2
	Connection Size: 3/8", 1/2", 8-12MM						Connection Size: 3/8", 1/2", 8-12MM					
0.5	0.36	10.2	0.86	24.4	1.6	45.3	0.09	0.3	0.4	1.5	0.76	2.9
2	1.4	39.6	2.8	79.3	4	113.3	0.26	1.0	1.1	4.2	1.6	6.1
7	1.8	51.0	4.2	118.9	6.8	192.6	0.64	2.4	2.2	8.3	3.5	13.2
15	1.8	51.0	4.9	138.8	7.9	223.7	0.84	3.2	2.6	9.8	4.1	15.5
60	5.1	144.4	10	283.2	15	424.8	1.5	5.7	4.8	18.2	6.7	25.4
90	6.1	172.7	11	311.5	16	453.1	1.7	6.4	5.5	20.8	7.6	28.8
*40,140,200	7.2	203.9	14	396.4	20	566.3	2.4	9.1	7.2	27.3	10	37.9

*Other Filter elements are available by special request.

Outlet is open to atmosphere.

T-TYPE & IN-LINE PROCESS FILTERS H600 SERIES

H600-R



BASIC ORDERING NUMBER; H-600R

Orifice		Connection Size		L		L1		M		D		H		N	
mm	in	inlet	outlet	mm	in	mm	in	mm	in	mm	in	mm	in	mm	in
2.39	0.094	1/8" LET-LOK®	1/8" LET-LOK®	57.6	2.27	27.1	1.07	25.5	1.00	9.8	0.39	47.4	1.87	25.5	1.0
4.41	0.174	1/4" LET-LOK®	1/4" LET-LOK®	62.8	2.47	26.8	1.06	25.5	1.00	9.8	0.39	47.4	1.87	25.5	1.0
5.41	0.213	3/8" LET-LOK®	3/8" LET-LOK®	72.2	2.84	33.6	1.32	28.8	1.13	11.6	0.46	56.0	2.20	28.6	11/8
6.35	0.250	1/2" LET-LOK®	1/2" LET-LOK®	77.3	3.04	33.4	1.31	28.8	1.13	11.6	0.46	56.0	2.20	28.6	1.0
4.41	0.174	6MM LET-LOK®	6MM LET-LOK®	62.4	2.46	26.8	1.06	25.5	1.00	9.8	0.39	47.6	1.87	25.5	11/8
5.41	0.213	8MM LET-LOK®	8MM LET-LOK®	72.2	2.84	35.2	1.39	28.8	1.13	11.6	0.46	56.0	2.20	28.6	11/8
6.35	0.250	10MM LET-LOK®	10MM LET-LOK®	72.5	2.85	33.6	1.32	28.8	1.13	11.6	0.46	56.0	2.20	28.6	11/8
6.35	0.250	12MM LET-LOK®	12MM LET-LOK®	77.3	3.04	33.4	1.31	28.8	1.13	11.6	0.46	56.0	2.20	28.6	1.0
4.41	0.174	1/8" Female NPT	1/8" Female NPT	50.7	2.00	25.5	1.00	25.5	1.00	9.8	0.39	47.6	1.87	25.5	1.0
4.41	0.174	1/4" Female NPT	1/4" Female NPT	54.2	2.13	25.5	1.00	25.5	1.00	9.8	0.39	47.6	1.87	25.5	1.0
4.41	0.174	1/4" Male NPT	1/4" Male NPT	54.2	2.13	25.5	1.00	25.5	1.00	9.8	0.39	47.6	1.87	25.5	11/8
6.35	0.250	3/8" Male NPT	3/8" Male NPT	60.4	2.38	31.7	1.25	28.8	1.13	11.6	0.46	56.0	2.20	28.6	11/8
6.35	0.250	1/2" Male NPT	1/2" Male NPT	70.0	2.76	31.7	1.25	28.8	1.13	11.6	0.46	56.0	2.20	28.6	11/8

Dimensions are for reference only, and are subject to change.

T-TYPE & IN-LINE PROCESS FILTERS H600 SERIES

H600

FEATURES

- Bar Stock 316St.St. or Brass Construction
- Moderate Pressure Characteristics
(3000 psi in 316St.St. and 1000 psi in Brass)
- Interchangeable Parts
- HAM-LET LET-LOK® Ends, Male & Female NPT, and HTC® Face-Seal Bead
- Replaceable Filter elements available
in Filtration levels: 0.5, 2, 7.0, 15, 60 and 90 micron
- Other Filter elements available upon request.

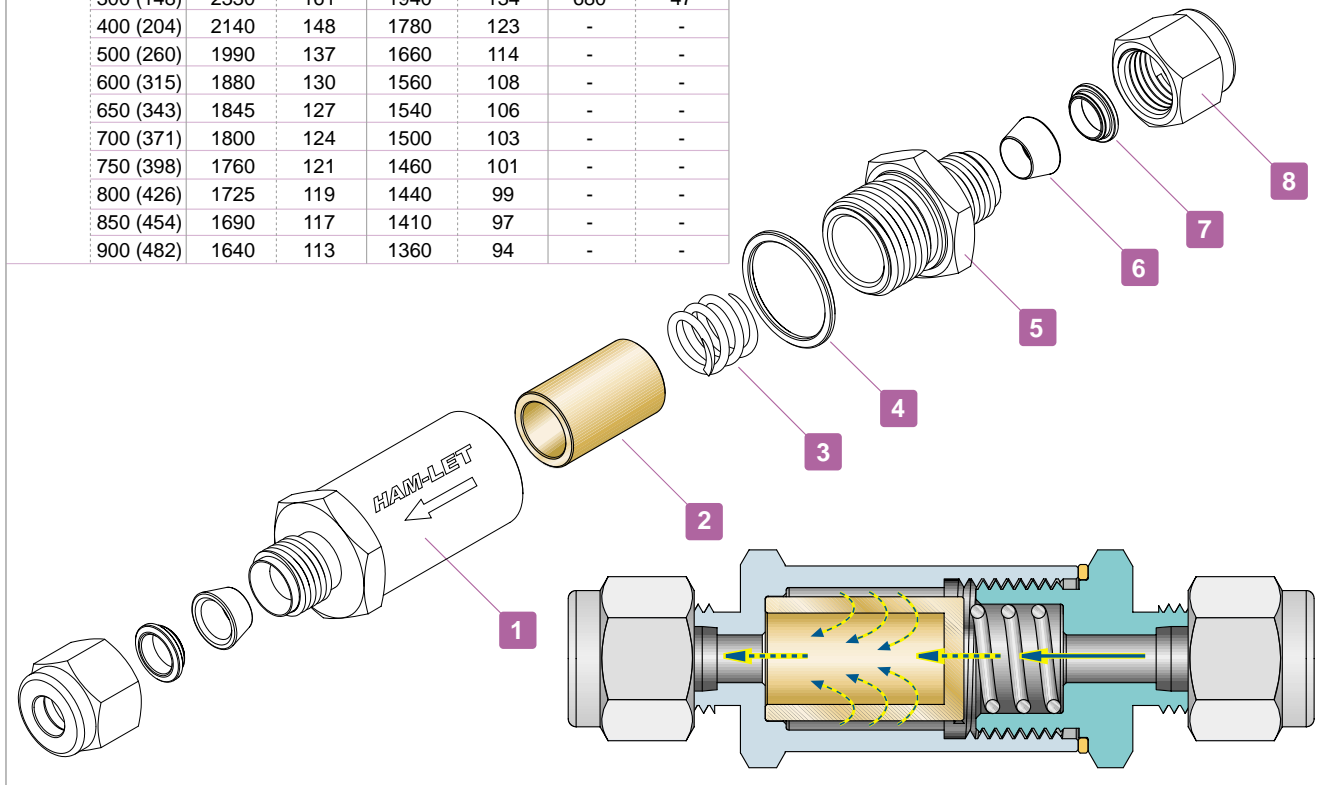
GENERAL

The H600 Series is an In-Line filtration device. It will be installed in a system to protect the system components from fluid particles and contaminates.

IN-LINES FILTERS; MATERIALS				
No.	Part	Qty.	Material	
			316 St.St.	Brass
1	Body	1	St.St.ASTM A-276	Brass ASTM B-16
2	Filtration Element	1	316St.St.	
3	Spring	1	302St.St.	
4	Gasket Ring	1	316St.St.(Silver Plated)	Aluminum / B 209
5	Insert	1	St.St.ASTM A-276	Brass ASTM B-16
6	Front Ferulle	2	St.St.ASTM A-276	Brass ASTM B-16
7	Back Ferulle	2	St.St.ASTM A-276	Brass ASTM B-16
8	Nut	2	St.St.ASTM A-276	Brass ASTM B-16

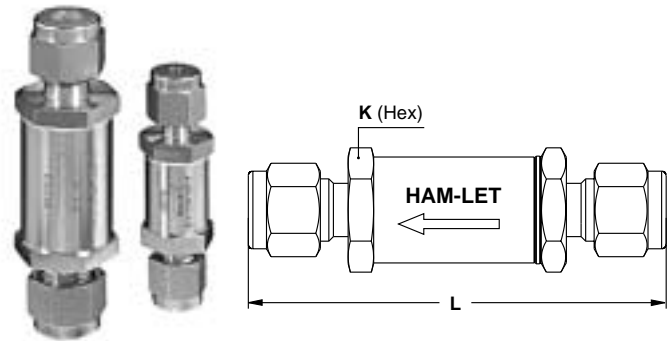
FILTRATION AREA		
	Connection Sizes	Sintered element
		in (mm)
T-type Filters	1/8, 1/4, 6MM	1.3 (830)
	3/8, 1/2, 8-12MM	2 (1280)
In-Line Filters	1/8	0.55 (350)
	1/4, 6MM	1.3 (830)
	3/8, 1/2, 8-12MM	2 (1280)

IN-LINE FILTERS: PRESSURE - TEMPERATURE RATING							
Connection Sizes		1/8", 1/4", 6MM		3/8", 1/2", 8-12MM		All	
Material Temp. °F (°C)		316St.St.		316St.St.		Brass	
		Permissible Working Pressure, psig / bar					
Min.	Max.	psig	bar	psig	bar	psig	bar
-20 (-28)	100 (37)	3000	207	2500	172	1000	69
	200 (93)	2580	178	2150	148	780	54
	300 (148)	2330	161	1940	134	680	47
	400 (204)	2140	148	1780	123	-	-
	500 (260)	1990	137	1660	114	-	-
	600 (315)	1880	130	1560	108	-	-
	650 (343)	1845	127	1540	106	-	-
	700 (371)	1800	124	1500	103	-	-
	750 (398)	1760	121	1460	101	-	-
	800 (426)	1725	119	1440	99	-	-
	850 (454)	1690	117	1410	97	-	-
	900 (482)	1640	113	1360	94	-	-



T-TYPE & IN-LINE PROCESS FILTERS H600 SERIES

H600



IN-LINE FILTER; DIMENSIONS (BASIC ORDERING NUMBER: H600)

Orifice		Connection Size		L		K (hex)	
mm	in	inlet	outlet	mm	in	mm	in
2.39	0.094	1/8" LET-LOK®	1/8" LET-LOK®	57.5	2.26	14.4	9/16
4.75	0.187	1/4" LET-LOK®	1/4" LET-LOK®	70.0	2.76	19.05	3/4
7.14	0.281	3/8" LET-LOK®	3/8" LET-LOK®	81.4	3.20	25.4	1
10.30	0.406	1/2" LET-LOK®	1/2" LET-LOK®	88.5	3.48	25.4	1
2.39	0.094	3MM LET-LOK®	3MM LET-LOK®	57.5	2.26	14.4	9/16
4.75	0.187	6MM LET-LOK®	6MM LET-LOK®	74.9	2.95	19.05	3/4
2.39	0.094	1/8" Female NPT	1/8" Female NPT	55.0	2.17	14.4	9/16
4.75	0.187	1/4" Female NPT	1/4" Female NPT	73.0	2.87	19.05	3/4
4.75	0.187	1/4" Male NPT	1/4" Male NPT	68.2	2.69	19.05	3/4
4.75	0.187	1/4" Male Face Seal	1/4" Male Face Seal	71.5	2.81	19.05	3/4

IN-LINE FILTER - PRESSURE DROP

Nominal Element Pore Size μm	Inlet pressure, psig (bar)						Pressure Drop, psig (bar)					
	5 (0.34)		10 (0.68)		15 (1.0)		10 (0.68)		50 (3.4)		100 (6.8)	
	Air Flow						Water Flow					
	std ft3/min	std L/min	std ft3/min	std L/min	std ft3/min	std L/min	US gal/min	L/min	US gal/min	L/min	US gal/min	L/min
	Connection Size: 1/8"						Connection Size: 1/8"					
0.5	0.04	1.1	0.06	1.7	0.12	3.4	0.01	0.03	0.04	0.15	0.12	0.5
2	0.2	5.7	0.4	11.3	0.6	17.0	0.08	0.3	0.24	0.9	0.4	1.5
7	0.5	14.2	0.9	25.5	1.2	34.0	0.1	0.4	0.3	1.1	0.48	1.8
15	0.8	22.7	1.3	36.8	1.5	42.5	0.12	0.5	0.36	1.4	0.58	2.2
60	1.7	48.1	2.2	62.3	2.4	68.0	0.15	0.6	0.5	1.9	0.6	2.3
90	1.8	51.0	2.2	62.3	2.6	73.6	0.2	0.8	0.5	1.9	0.7	2.6
	Connection Size: 1/4", 6MM						Connection Size: 1/4", 6MM					
0.5	0.12	3.4	0.26	7.4	0.48	13.6	0.04	0.2	0.17	0.64	0.29	1.1
2	0.6	17.0	1.4	39.6	2.3	65.1	0.24	0.9	0.86	3.3	1.3	4.9
7	1.2	34.0	2.9	82.1	4.7	133.1	0.4	1.5	1.3	4.9	2	7.6
15	1.4	39.6	2.9	82.1	4.7	133.1	0.5	1.9	1.3	4.9	2.1	7.9
60	3.1	87.8	5.9	167.1	8.5	240.7	0.9	3.4	3.3	12.5	4.6	17.4
90	4.1	116.1	7.5	212.4	10	283.2	1.2	4.5	4.2	15.9	6.1	23.1
40,140,200	4.7	133.1	8.8	249.2	12	339.8	1.7	6.4	5.6	21.2	7.8	29.5
	Connection Size: 3/8", 1/2", 8-12MM						Connection Size: 3/8", 1/2", 8-12MM					
0.5	0.36	10.2	0.86	24.4	1.6	45.3	0.09	0.34	0.4	1.5	0.76	2.9
2	1.4	39.6	2.8	79.3	4	113.3	0.26	1.0	1.1	4.1	1.6	6.1
7	1.8	51.0	4.2	118.9	6.8	192.6	0.64	2.4	2.2	8.3	3.5	13.2
15	1.8	51.0	4.9	138.8	7.9	223.7	0.84	3.2	2.6	9.8	4.1	15.5
60	5.1	144.4	10	283.3	15	424.8	2	7.5	6.7	25	10	37.9
90	6.1	172.7	11	311.5	16	453.1	2.3	8.7	7.6	28	11	41.6
40,140,200	7.2	203.9	14	396.4	20	566.3	4.8	18	15	56	19	71.9
Outlet is open to atmosphere.												

H600

Warning

Select the right component for safety's sake: The total design of the system must be taken into consideration when selecting components in order to ensure that your Ham-Let products provide safe, trouble-free operation. It is the responsibility of the system designer and the user to consider the compatibility of the materials, of the components and system, the function

of the component, appropriate ratings and to ensure proper installation, operation and maintenance.

Improper selection or use of products can cause property damage or personal injury, in respect of which the system designer and/or the user shall be solely liable and responsible.

ORDERING INFORMATION Your safety is important to us. Please ensure proper reference to our latest catalog

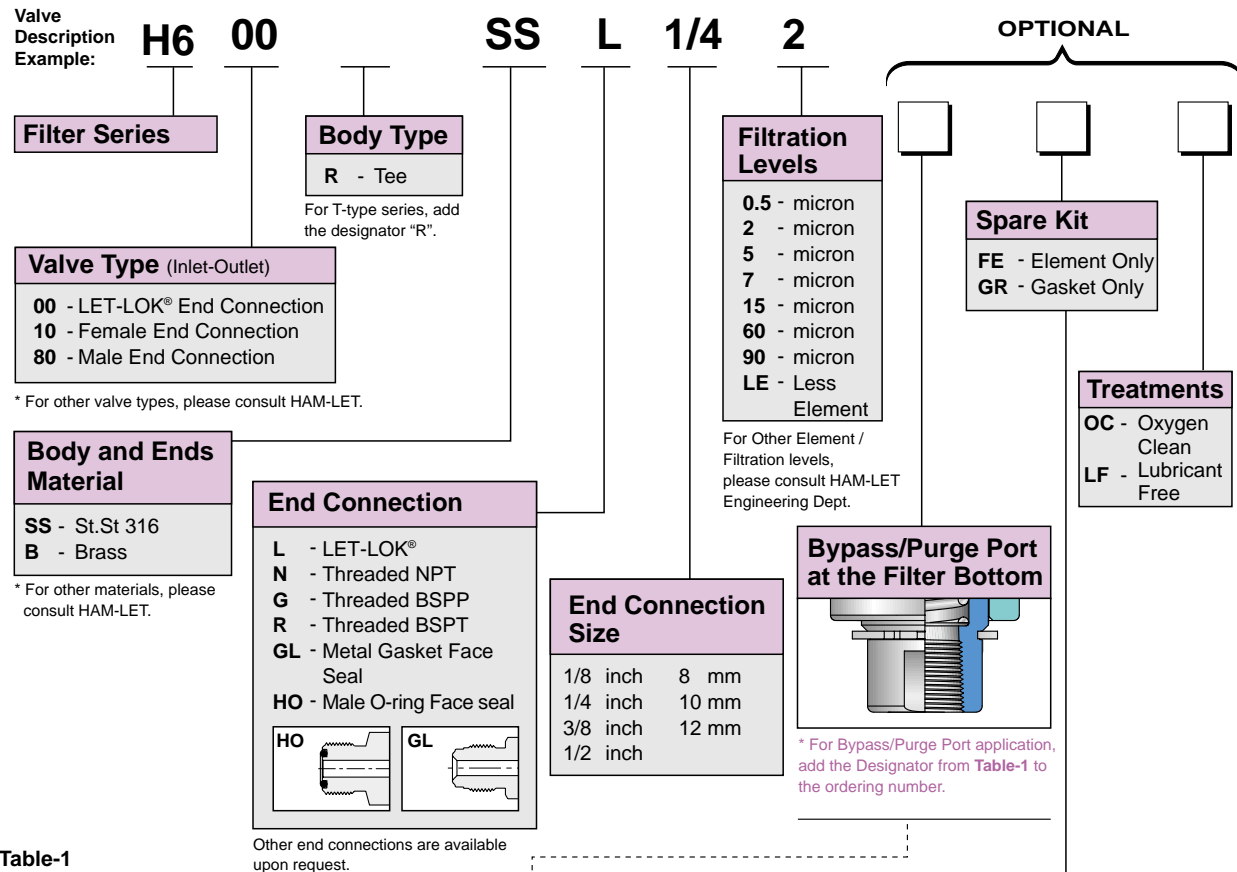


Table-1

H600-R T-TYPE SERIES BYPASS/PURGE
Port enable sampling or purging

Filter End Connections	Bypass/purge port end connection	Overall High In (mm)	Designator
1/8", 1/4", 6mm	1/8" LET-LOK®	2.36 (60)	B1
	1/8" Female NPT	2.08 (53)	B2
	1/4" LET-LOK®	2.81 (71.5)	B3
8, 10 & 12mm 3/8", 1/2"	1/4" Female NPT	2.46 (62.5)	B4
	1/4" LET-LOK®	3.15 (80)	B5
	3/8" LET-LOK®	3.19 (81)	B6
	1/2" LET-LOK®	3.24 (87)	B7

Other end connections are available upon request.

SPARE KIT

Gasket

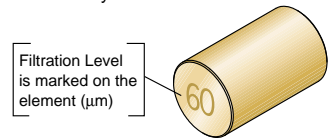
Kit includes gasket, ring disassembly and reassembly instructions.



Ordering Example:
Gasket for T-type 1/4" series
H-600R-SS-L-1/4-GR

Filtration Element

Kit includes element, disassembly and reassembly instructions.



Ordering Example:
2 micron element for T-type 1/4" series
H-600R-SS-L-1/4 -2-FE