

# DVC100M Modbus interface module

The DVC100M Modbus interface module provides a multi drop Modbus RS485 interface for the Searchpoint Optima Plus and Searchline Excel infrared gas detection products. The DVC100M also provides an interface for the handheld interrogator (SHC-1) to facilitate local calibration and configuration facilities of the detector.

The multi drop Modbus capability enables significant savings in installation and cabling costs. Additionally, the 2 way digital communication protocol allows configuration and fault diagnosis information to be communicated back to the control room. This further reduces servicing and maintenance costs as the operator can diagnose the state of any individual unit before deciding to send anyone into the field.

## Features

- Up to 32 detectors on single multi drop cable
- Detector status and configuration available at control room
- Warning/Fault diagnostics available at control room
- Local calibration/configuration
- 4-20mA output

## Applications

- On and offshore oil and gas exploration and extraction
- Chemical and Petrochemical plants
- Oil and gas distribution and many other Industrial applications.

**z lumidor****z mda scientific****z neotronics****z sieger**

# General Specification

## Electrical:

Supply Voltage:	18V to 32V
Power Consumption (Module only):	< 1.5W
Modbus Interface (Electrical):	Isolated Multidrop RS485 Transceiver
Maximum Number of Units on RS485 Network:	32

## Communications:

Communications Protocol:	Modbus RTU
Programmable Addresses:	0-98 (99 Default address) Address programmed via PC or SHC-1
Data Rate:	9,600 baud
Time to Commence Responding to Request:	<= 0.1 mS
Compatible Detectors:	Searchline Excel Searchline Excel Duct Mount Searchpoint Optima Plus IS protected, 3 pin socket
SHC-1 Handheld Connection:	

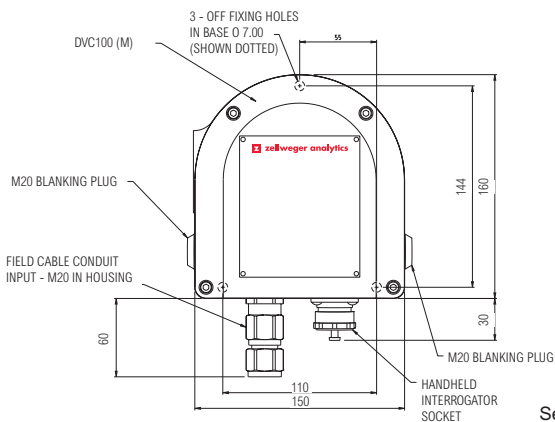
## Environmental:

Operational Temperature Range:	-40°C to +65°C (-40°F to +149°F)
Enclosure Entries:	1xM25, 3xM20
Enclosure Material:	DMC reinforced Polyester
Weight:	2.1kg (4.6lbs)
Ingress Protection (Inside DVC100M):	IP67
EMC Compliance:	EN50270 (1999)

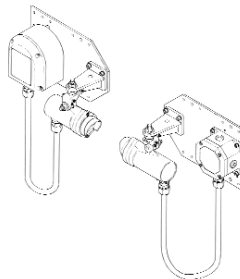
## Certification:

ATEX:	Ex II 2G EEx e m ia IIC T5 (-40°C to +65°C)
-------	--

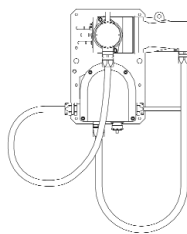
### DVC100M Dimensions



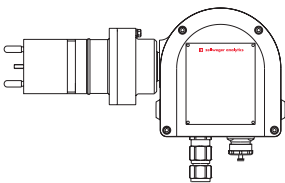
### Searchline Excel/DVC100M



### Searchline Excel Cross-Duct/DVC100M



### Searchline Optima Plus/DVC100M



**ZENTER EUROPE**  
Wilstrasse 11  
CH-8610 Uster  
Switzerland  
Tel: +41 1 943 4300  
Fax: +41 1 943 4396  
sales@zelana.co.uk



**ZENTER AMERICAS**  
Zellweger Analytics Distribution, Inc.  
400 Sawgrass Corporate Pkwy.  
Suite 100  
Sunrise, FL 33325  
Tel: +1 954 514 2700  
Toll free: +1 800 538 0363  
Fax: +1 954 514 2784  
sales@zelana.com

**SWITZERLAND - HEADQUARTERS**  
Tel: +41 (0)1 943 22 11  
Email: info@zelana.com

**ASIA PACIFIC**  
Tel: +65 6862 7701  
Email: zalasia@singnet.com.sg

**BELGIUM**  
Tel: +32 (0)70 22 30 24  
Email: za.be@zelana.com

**FRANCE**  
Tel: +33 1 60 95 45 46

**GERMANY**  
Tel: +49 89 791 920  
Email: vertriebscenter@zelana.de

**ITALY**  
Tel: +39 0248 3391  
Email: zaitaly@zelana.com

**MIDDLE EAST**  
Tel: +971 4 3458 338  
Email: zelana@emirates.net.ae

**NETHERLANDS**  
Tel: +31 (0)355435646  
Email: zabl@zelana.com

**SPAIN**  
Tel: +34 93 379 9611  
Email: zellana@jet.es

**UK**  
Tel: +44 (0) 1202 676161  
Email: sales@zelana.co.uk

www.zelana.com

www.lumidor.com

### Please Note:

While every effort has been made to ensure accuracy in this publication, no responsibility can be accepted for errors or omissions. Data may change, as well as legislation, and you are strongly advised to obtain copies of the most recently issued regulations, standards, and guidelines.

Issue 1 01/2004  
DS0306 2104M0509

you know you're in the Zone™

**z** **zellweger analytics**

A Division of the Zellweger Luwa Group