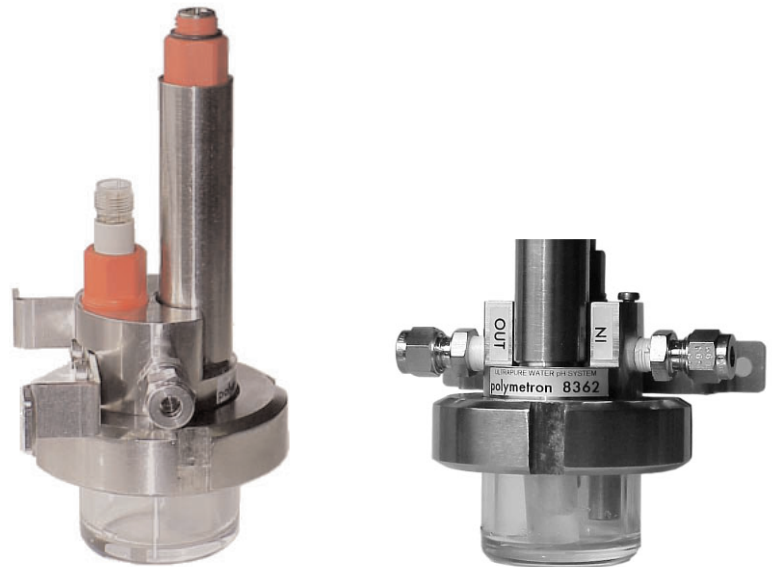


# Ultrapure water pH system Model 8362



data sheet

## Applications

- Steam generation (power, other industries) : feedwater, boiler water, condensate recovery
- Pure water treatment systems (any industries) : demineralized water, deionized water

## Advantages

- Specially designed for pure water: no retaining areas, minimized junction potential, electrostatic charge and stray current protected;
- Highly accurate : automatic temperature compensation for ultra-pure water applications that meet or exceed ASTM standard;
- Simple universal mounting;
- Minimal maintenance : no filling solution required, sensor visible for preventive maintenance, easily removable if necessary;
- Easy on-line calibration : quick-release sample cup used as calibration vessel.

Headquarters:  
6, route de Compois  
C.P. 212  
CH1222 Vérenaz, Geneva  
Switzerland

Tel. +41 22 855 91 00  
Fax +41 22 855 91 99  
salesinfo@hachultra.com



EXCELLENCE IN PROCESS ANALYTICS

www.hachultra.com

This publication is not intended to form the basis of a contract and the company reserves the right to amend the design and specifications of the instruments without notice.

Distributor

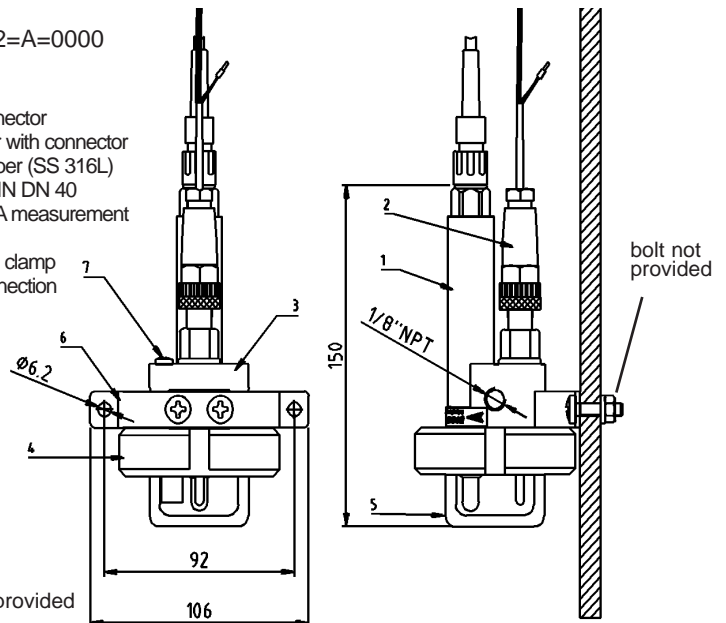
HUA\_TE8362revD.qxd



## Specifications

Model 8362  
Part number 08362=A=0000  
Dimensions in mm

- 1 - pH sensor with connector
- 2 - Temperature sensor with connector
- 3 - Flow through chamber (SS 316L)
- 4 - Stainless steel nut DIN DN 40
- 5 - Unscrewable PMMA measurement chamber (V 30 ml)
- 6 - Stainless steel fixing clamp
- 7 - Screw for earth connection



\* 1/8" NPT fittings not provided

<b>Sample</b>	Flow rate	Range : 100 to 400 ml/min - Ideal : 150 ml/min
	Pressure	Maximum : 16 bar/25°C, 6 bar/100°C The outlet must be at atmospheric pressure
<b>Material</b>	Mounting	Sample : 1/8" NPT
	Measurement chamber	electropolished 316 L stainless steel and PMMA (polymethyl metacrylate) Weight : 1,984 lbs (900 g)
	pH electrode	body in 316 L stainless steel
<b>Measuring range</b>	Temperature sensor	Pt 100, grade A (+/- 0,15°C)
	pH	2-12
	Temperature	0°C - 80 °C (32°F - 176°F) (t90 < 20s)
<b>Spare parts</b>	Repeatability	< 0,01 pH / 24 H
	Accuracy	0,05 pH for conductivity above 0,1 µS/cm 0,1 pH for conductivity below 0,1 µS/cm
	pH electrode	08362=A=2000
	Temp. sensor	08362=A=1001
	1/8" NPT fittings	08362=A=4000 (2 SS fittings kit for tube DN 4/6)
<b>Cable</b>	PMMA chamber	08362=C=4000
	The system is delivered with a 3 m cable for pH and temperature.	
	Other available length :	
	Temperature	10 m 08362=A=3002
<b>Calibration</b>	Cable	20 m 08362=A=3003
	pH Cable	10 m 359016,10120 20 m 359016,10122
<b>Solutions</b>	Buffer	Average frequency : monthly Buffer solution volume = 30 ml
	NIST (4; 6.88; 9.22) or DIN (4; 7; 9 or 10) can be used	
	We provide	pH4 363130,00500
	NIST solutions	pH6.88 363131,00500 pH9.22 363132,00500