

# 8350 pH AND ORP SENSORS

## Applications

- Power



## Simple to Integrate. Simple to Operate

A part of the most complete water analytics system for the Power industry. Hach provides a broad range of product options designed to work together into flexible solutions to meet your unique needs. Hach's comprehensive approach saves you time on design, installation, training, maintenance and operation.

### Save time on design

A single design source and one product platform means you spend less time searching for design files or configuring components. Create and reuse your optimal design templates.

### Accelerate your installation

One source, interchangeable components, a common user interface, and one support team make installation faster and less complicated. Quickly and easily transfer user settings between pH/ ORP loops.

### Reduce training complexity

A single platform minimizes time required to teach and learn product operations, getting new systems in use faster.

### Simplify maintenance and operation

Common menu guides reduce variability and provide step-by-step procedures for maintenance and pH/ ORP calibration. This standard 3/4" pH/ORP sensor delivers fast and accurate measurement with two combination electrodes and a pt100 ohm RTD temperature element. The reference cell features a double-junction design for extended service life, and a built-in solution ground.



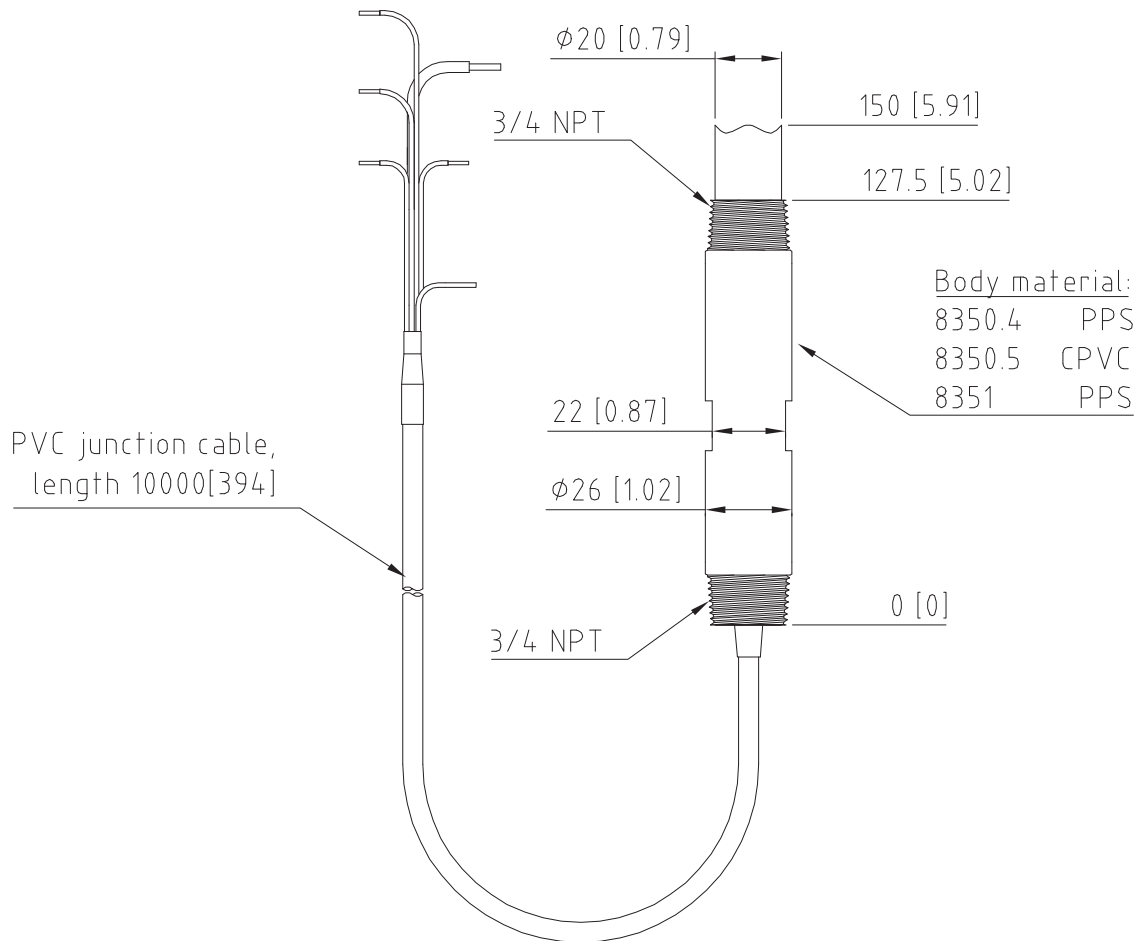
Be Right™

## Specifications\*

Prod. No.	08350=C=0004	08350=C=0005	08350=A=0003	08351=C=0000
	8350 pH Probe for High Temperatures	8350 pH Probe for Fouling Environments	8350 pH Probe for Samples with HF	8351 Redox Probe for High Temperatures
<b>Range</b>	0 to 14 pH, ± 0.05 pH	0 to 12 pH, ± 0.05 pH	0 to 12 pH, ± 0.05 pH	-1500 to 1500 mV
<b>Operating Temperature Range</b>	Temperature Maximum: 110 °C (230 °F)	Temperature Maximum: 80 °C (176 °F)	Temperature Maximum: 110 °C (230 °F)	Temperature Maximum: 110 °C (230 °F)
<b>Pressure Limit</b>	Maximum Pressure: 10 bar (145 psi) at 80 °C	Maximum Pressure: 10 bar (145 psi) at 80 °C	Maximum Pressure: 10 bar (145 psi) at 80 °C	Maximum Pressure: 10 bar (145 psi) at 80 °C
<b>Material</b>	Flat PTFE junction, Guarded glass, Stainless steel ring for impedance measurements, PPS body	Flat PTFE junction, Guarded glass, Stainless steel ring for impedance measurements, CPVC body	Flat PTFE junction, Guarded glass, PPS Body	Flat PTFE junction, Guarded glass, Stainless steel ring for impedance measurements, PPS body
<b>Cable Connection</b>	Cable Length: 10 m	Cable Length: 10 m	Cable Length: 10 m	Cable Length: 10 m

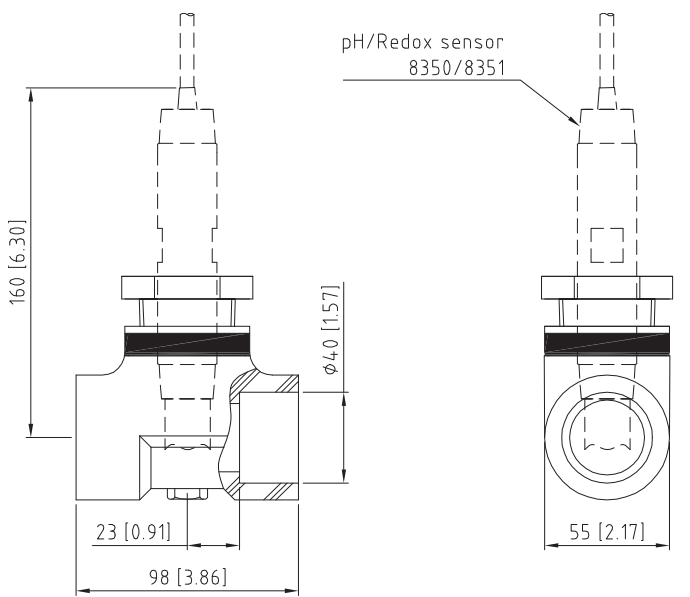
\*Subject to change without notice.

## Dimensions

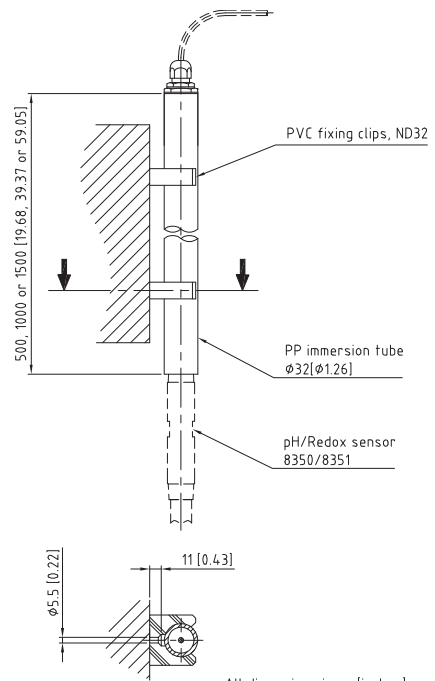


All dimensions in mm[inches].

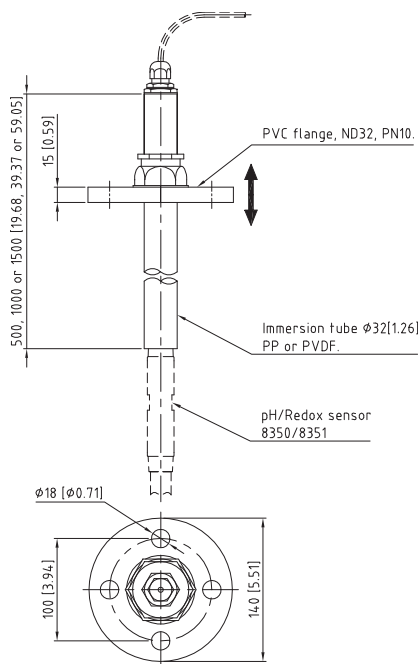
### Installation / Mounting



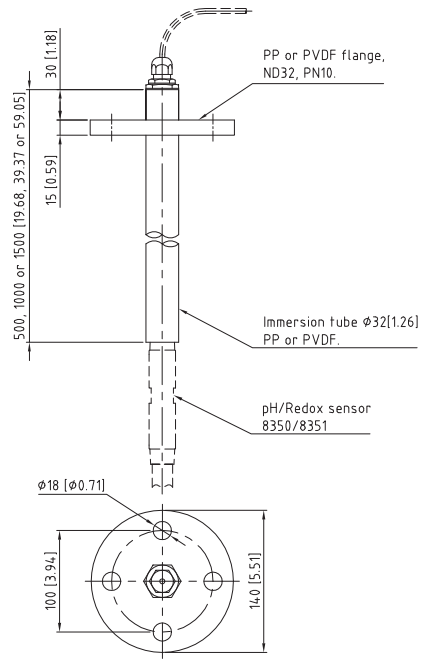
All dimensions in mm[inches].



All dimensions in mm[inches].



All dimensions in mm[inches].



All dimensions in mm[inches].

## Ordering Information

### pH/ORP Electrodes

- 08350=C=0004** 8350 pH Probe for High Temperatures  
**08350=C=0005** 8350 pH Probe for Fouling Environments  
**08351=C=0000** 8351 Redox Probe for High Temperatures  
**08350=A=0003** 8350 pH Probe for Samples with HF

### pH/ORP Mounting Hardware

- 08350=A=9500** PVC DN 40 flow chamber, flange-type probe fitting  
**08350=A=9510** PVC Tee, DN 40, 1 fitting  
**08350=A=6005** Polypropylene Immersion Shaft with Fixed Flange, 0.5 m Cable  
**08350=A=6015** Polypropylene Immersion Shaft with Fixed Flange, 1.5 m Cable  
**08350=A=1005** Polypropylene Immersion Shaft with Adjustable Flange, 0.5 m cable  
**08350=A=1010** Polypropylene Immersion Shaft with Adjustable Flange, 1 m cable  
**08350=A=1015** Polypropylene Immersion Shaft with Adjustable Flange, 1.5 m cable  
**08350=A=1105** Polypropylene Immersion Shaft with 2 Clips, 0.5 m cable  
**08350=A=1110** Polypropylene Immersion Shaft with 2 Clips, 1 m cable  
**08350=A=1115** Polypropylene Immersion Shaft with 2 Clips, 1.5 m cable

### pH/ORP Accessories

- 08350=A=6010** Polypropylene Immersion Shaft with Fixed Flange, 1 m Cable  
**08350=A=7000** Chemical Cleaning Kit (Nozzle and Feed Pipes)  
**358048,00000** Coaxial Cable for 8350 pH Electrode (25 m)  
**08350=A=8000** Pre-Amplifier for 8350-Type Probes  
**08350=A=8500** Junction Box for 8350-Type Probes

## HACH COMPANY World Headquarters: Loveland, Colorado USA

United States: 800-227-4224 tel 970-669-2932 fax orders@hach.com  
Outside United States: 970-669-3050 tel 970-461-3939 fax int@hach.com  
**hach.com**

LIT2822

G13 Printed in U.S.A.

©Hach Company, 2013. All rights reserved.

*In the interest of improving and updating its equipment,*

*Hach Company reserves the right to alter specifications to equipment at any time.*



Be Right™